

Drop-in Isolators

Part Number: KTDI-302C2

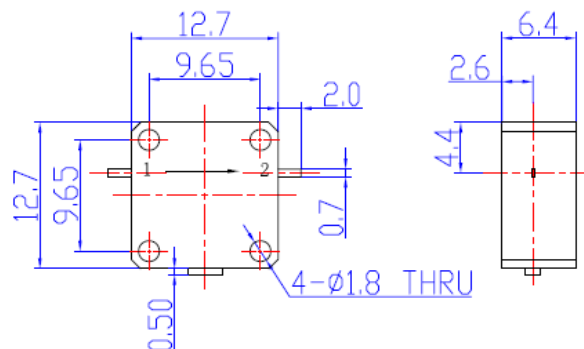
Main Features:

- Broad Option of Frequency Range: 3GHz-7GHz
- High Isolation, Low Insertion Loss, Small Size
- Wide Operating Temperature: -40°C~+70°C
- Commercial, Military and Space Applications

Electrical Specifications at Room Temperature:

Part Number	Freq. Range (GHz)	Bandwidth Max. (MHz)	Insertion Loss Max. (dB)	Isolation Min. (dB)	VSWR Max.	Reverse Power (W)	Connector Type
KTDI-302C2	3 - 7	250	0.4	20	1.25	5	TAB
KTDI-302C2	3 - 7	500	0.5	18	1.30	5	TAB

Mechanical Dimensions (mm):



HOW TO ORDER

