

Drop-in Isolators

Part Number: KTDI-1002E

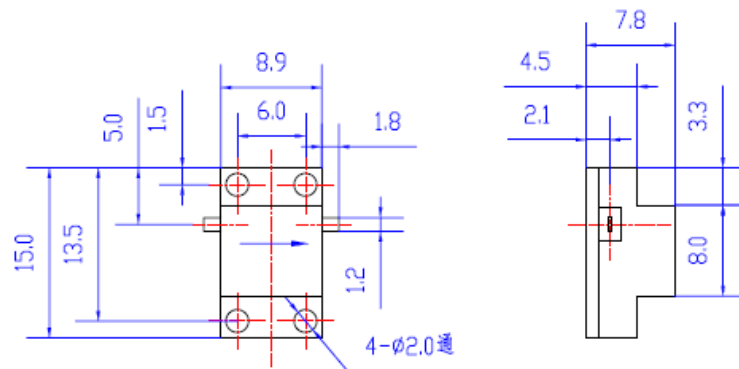
Main Features:

- Broad Option of Frequency Range: 7GHz -18GHz
- High Isolation, Low Insertion Loss, Small Size
- Wide Operating Temperature: -40°C~+75°C
- Commercial, Military and Space Applications

Electrical Specifications at Room Temperature:

Part Number	Freq. Range (GHz)	Bandwidth Max. (MHz)	Insertion Loss Max. (dB)	Isolation Min. (dB)	VSWR Max.	Reverse Power (W)	Connector Type
KTDI-1002E	7 - 18	300	0.3	25	1.20	5	TAB
KTDI-1002E	7 - 18	1200	0.4	20	1.25	5	TAB

Mechanical Dimensions (mm):



HOW TO ORDER

