

## Drop-in Isolators

Part Number: KTDI-102M7

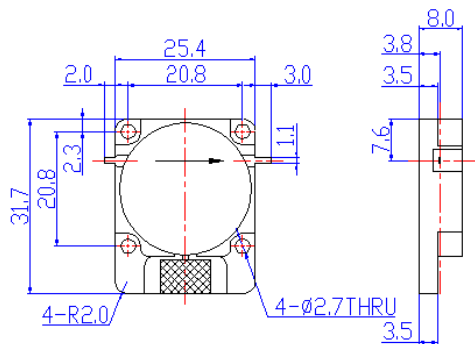
### Main Features:

- Frequency Range: 0.6 - 1.8GHz
- Small Size, High Isolation, Low Insertion Loss, High Power Handling
- Wide Operating Temperature: -40°C~+85°C
- Commercial, Military and Space Applications

### Electrical Specifications at Room Temperature:

Part Number	Freq. Range (GHz)	Bandwidth Max. (MHz)	Insertion Loss Max. (dB)	Isolation Min. (dB)	VSWR Max.	Reverse Power (W)	Connector Type
KTDI-102M7	0.6 - 1.8	80	0.4	23	1.20	100	TAB

### Mechanical Dimensions (mm):



### HOW TO ORDER

