

Waveguide Isolators

Part Number: KTWI100-12.7

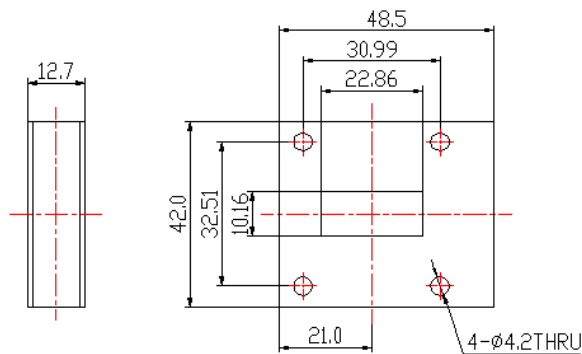
Main Features:

- Broad Frequency Range: 8.2GHz -12.5GHz
- High Isolation, Low Insertion Loss, Small Size
- Wide Operating Temperature Range: -40°C ~+85°C
- Commercial, Military and Space Applications

Electrical Specifications at Room Temperature:

Part Number	Freq. Range (GHz)	Bandwidth Max. (MHz)	Insertion Loss Max. (dB)	Isolation Min. (dB)	VSWR Max.	Waveguide Type
KTWI100-12.7	8.2 - 12.5	300	0.3	25	1.20	WR90
KTWI100-12.7	8.2 - 12.5	500	0.4	20	1.25	WR90

Mechanical Dimensions (mm):



HOW TO ORDER

