

## Waveguide Isolators

Part Number: KTWI900-10A

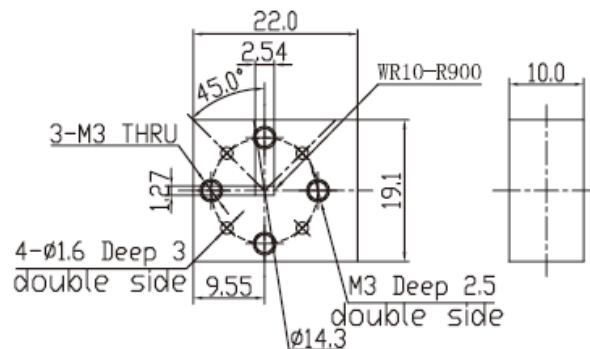
### Main Features:

- Broad Frequency Range: 73.8GHz - 112.0GHz
- High Isolation, Low Insertion Loss, Small Size
- Wide Operating Temperature: -40°C~+85°C
- Commercial, Military and Space Applications

### Electrical Specifications at Room Temperature:

| Part Number | Freq. Range (GHz) | Bandwidth Max. (MHz) | Insertion Loss Max. (dB) | Isolation Min. (dB) | VSWR Max. | Waveguide Type |
|-------------|-------------------|----------------------|--------------------------|---------------------|-----------|----------------|
| KTWI900-10A | 73.8 - 112.0      | 1000                 | 0.8                      | 20                  | 1.25      | WR10           |
| KTWI900-10A | 73.8 - 112.0      | 2000                 | 1.0                      | 18                  | 1.30      | WR10           |

### Mechanical Dimensions (mm):



### HOW TO ORDER

