

Surface Mount Circulators

Part Number: KTSC-902C

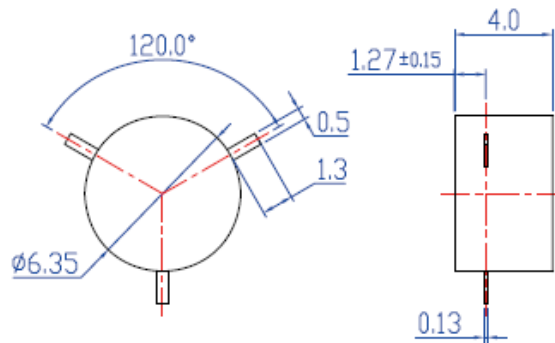
Main Features:

- Frequency Range: 8.8 - 11GHz
- High Isolation, Low Insertion Loss, Small Size
- Wide Operating Temperature: -40°C ~+85°C
- Commercial, Military and Space Applications

Electrical Specifications at Room Temperature:

Part Number	Freq. Range (GHz)	Bandwidth Max. (MHz)	Insertion Loss Max. (dB)	Isolation Min. (dB)	VSWR Max.	Connector Type
KTSC-902C	8.8 - 10.2	full	0.5	20	1.25	SMD
KTSC-902C	10.35 - 10.55	full	0.5	20	1.25	SMD

Mechanical Dimensions (mm):



HOW TO ORDER

