

## Surface Mount Circulators

Part Number: KTSC-102K4

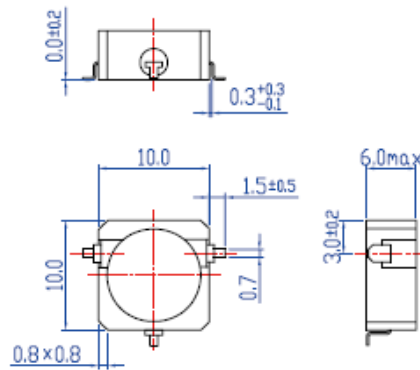
### Main Features:

- Frequency Range: 1.5 - 2.2GHz
- High Isolation, Low Insertion Loss, Small Size
- Wide Operating Temperature: -40°C ~+85°C
- Commercial, Military and Space Applications

### Electrical Specifications at Room Temperature:

Part Number	Freq. Range (GHz)	Relative Bandwidth	Insertion Loss Max. (dB)	Isolation Min. (dB)	VSWR Max.	Connector Type
KTSC-102K4	1.5 - 2.2	1%	0.4	20	1.25	SMD

### Mechanical Dimensions (mm):



### HOW TO ORDER

