

Microstrip Isolators

Part Number: KTMI-1502A16

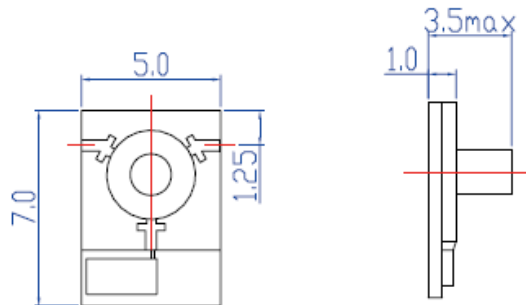
Main Features:

- Frequency Range: 12GHz - 17GHz
- Small Size, Thin Film Technology
- High Isolation, Low Insertion Loss
- Wide Operating Temperature : -55°C~+85°C
- Commercial, Military and Space Applications

Electrical Specifications at Room Temperature:

Part Number	Freq. Range (GHz)	Bandwidth Max. (MHz)	Insertion Loss Max. (dB)	Isolation Min. (dB)	VSWR Max.	Load Power (W)	Connector Type
KTMI-1502A16	12 - 17	full	0.8	15	1.45	10	GWB

Mechanical Dimensions (mm):



HOW TO ORDER

