

## Microstrip Isolators

Part Number: KTMI-902A11

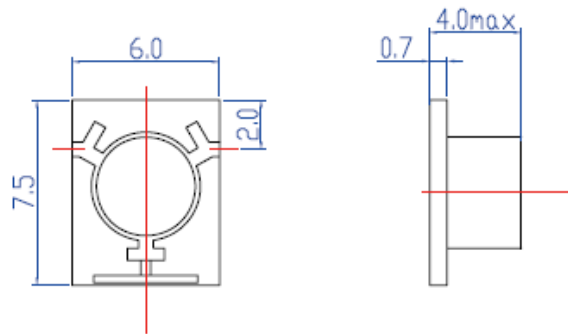
### Main Features:

- Frequency Range: 13GHz - 15GHz
- Small Size, Thin Film Technology
- High Isolation, Low Insertion Loss
- Wide Operating Temperature : -55°C~+85°C
- Commercial, Military and Space Applications

### Electrical Specifications at Room Temperature:

Part Number	Freq. Range (GHz)	Bandwidth Max. (MHz)	Insertion Loss Max. (dB)	Isolation Min. (dB)	VSWR Max.	Load Power (W)	Connector Type
KTMI-902A11	13 - 15	full	0.6	18	1.30	0.5	GWB

### Mechanical Dimensions (mm):



### HOW TO ORDER

