

## Microstrip Circulator

Part Number: KTMC-502A2

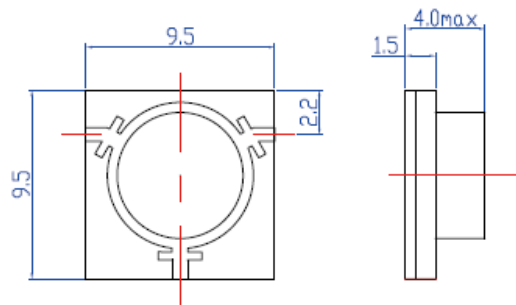
### Main Features:

- Frequency Range: 5GHz - 6GHz
- Small Size, Thin Film Technology
- High Isolation, Low Insertion Loss
- Wide Operating Temperature : -55°C~+85°C
- Commercial, Military and Space Applications

### Electrical Specifications at Room Temperature:

Part Number	Freq. Range (GHz)	Bandwidth Max. (MHz)	Insertion Loss Max. (dB)	Isolation Min. (dB)	VSWR Max.	Connector Type
KTMC-502A2	5 - 6	full	0.6	17	1.35	GWB

### Mechanical Dimensions (mm):



### HOW TO ORDER

