

Microstrip Circulator

Part Number: KTMC-502A3

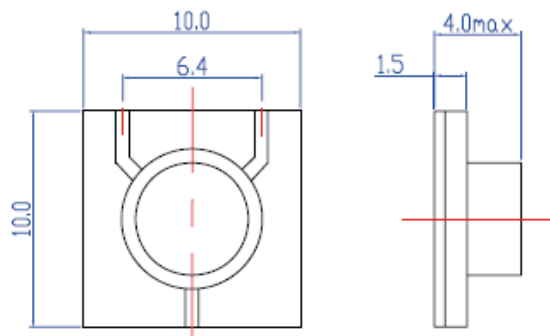
Main Features:

- Frequency Range: 5.2GHz - 5.9GHz
- Small Size, Thin Film Technology
- High Isolation, Low Insertion Loss
- Wide Operating Temperature : -55°C~+85°C
- Commercial, Military and Space Applications

Electrical Specifications at Room Temperature:

| Part Number | Freq. Range (GHz) | Bandwidth Max. (MHz) | Insertion Loss Max. (dB) | Isolation Min. (dB) | VSWR Max. | Connector Type |
|-------------|-------------------|----------------------|--------------------------|---------------------|-----------|----------------|
| KTMC-502A3 | 5.2 - 5.9 | full | 0.5 | 18 | 1.3 | GWB |

Mechanical Dimensions (mm):



HOW TO ORDER

