

## Microstrip Circulator

Part Number: KTMC-702A1

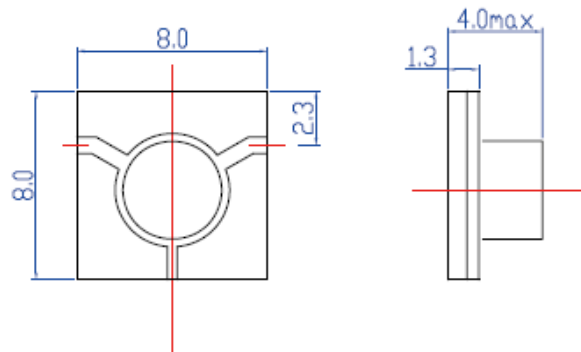
### Main Features:

- Frequency Range: 6.5GHz - 7.1GHz
- Small Size, Thin Film Technology
- High Isolation, Low Insertion Loss
- Wide Operating Temperature : -55°C~+85°C
- Commercial, Military and Space Applications

### Electrical Specifications at Room Temperature:

Part Number	Freq. Range (GHz)	Bandwidth Max. (MHz)	Insertion Loss Max. (dB)	Isolation Min. (dB)	VSWR Max.	Connector Type
KTMC-702A1	6.5 - 7.1	full	0.5	18	1.3	GWB

### Mechanical Dimensions (mm):



### HOW TO ORDER

