

## Microstrip Dual Junction Circulator

Part Number: KTMC1502S4-1

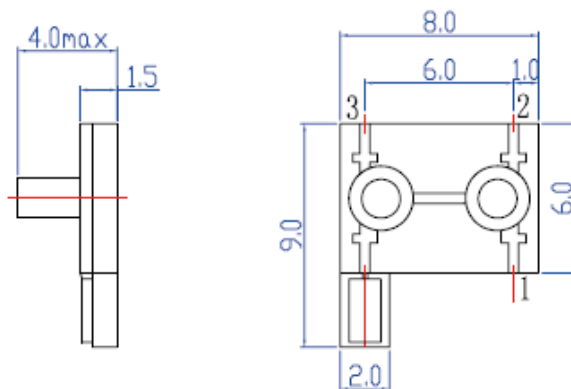
### Main Features:

- Frequency Range: 15.5GHz - 17.9GHz
- Small Size, Thin Film Technology
- High Isolation, Low Insertion Loss
- Wide Operating Temperature : -55°C~+85°C
- Commercial, Military and Space Applications

### Electrical Specifications at Room Temperature:

Part Number	Freq. Range (GHz)	Bandwidth Max. (MHz)	Insertion Loss Max. (dB)	Isolation Min. (dB)	VSWR Max.	Load Power (W)	Connector Type
KTMC1502S4-1	15.5 - 17.9	full	0.65(2→1) 1.1(1→3)	18(1→2) 30(3→1)	1.30	10	GWB

### Mechanical Dimensions (mm):



### HOW TO ORDER

