

## Microstrip Dual Junction Circulator

Part Number: KTMC-1502AS12

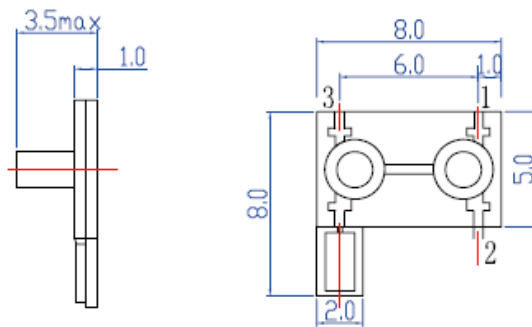
### Main Features:

- Frequency Range: 15.7GHz - 17.7GHz
- Small Size, Thin Film Technology
- High Isolation, Low Insertion Loss
- Wide Operating Temperature : -55°C~+85°C
- Commercial, Military and Space Applications

### Electrical Specifications at Room Temperature:

| Part Number   | Freq. Range (GHz) | Bandwidth Max. (MHz) | Insertion Loss Max. (dB) | Isolation Min. (dB) | VSWR Max. | Load Power (W) | Connector Type |
|---------------|-------------------|----------------------|--------------------------|---------------------|-----------|----------------|----------------|
| KTMC-1502AS12 | 15.7 - 17.7       | full                 | 0.6(1→2)<br>1.1(2→3)     | 18(2→1)<br>30(3→2)  | 1.30      | 10             | GWB            |

### Mechanical Dimensions (mm):



### HOW TO ORDER

