

Microstrip Dual Junction Circulator

Part Number: KTMC-1502AS14

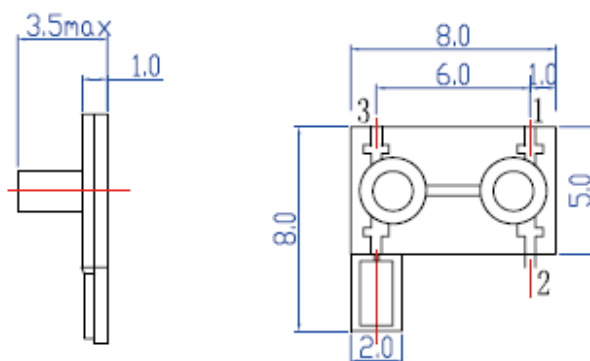
Main Features:

- Frequency Range: 14GHz - 18GHz
- Small Size, Thin Film Technology
- High Isolation, Low Insertion Loss
- Wide Operating Temperature : -55°C~+85°C
- Commercial, Military and Space Applications

Electrical Specifications at Room Temperature:

Part Number	Freq. Range (GHz)	Bandwidth Max. (MHz)	Insertion Loss Max. (dB)	Isolation Min. (dB)	VSWR Max.	Load Power (W)	Connector Type
KTMC-1502AS14	14 - 18	full	0.8(1→2) 1.5(2→3)	15(2→1) 30(3→2)	1.45	20	GWB

Mechanical Dimensions (mm):



HOW TO ORDER

