

## Microstrip Dual Junction Circulator

Part Number: KTMC-1602AS

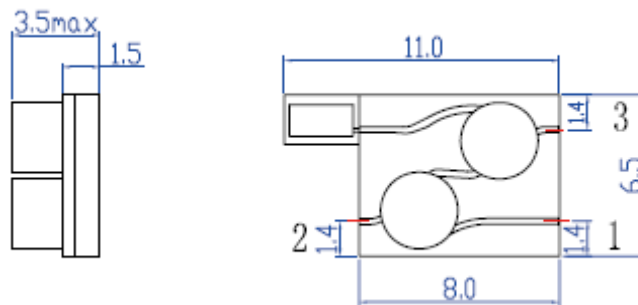
### Main Features:

- Frequency Range: 16.4GHz - 17.2GHz
- Small Size, Thin Film Technology
- High Isolation, Low Insertion Loss
- Wide Operating Temperature : -55°C~+85°C
- Commercial, Military and Space Applications

### Electrical Specifications at Room Temperature:

Part Number	Freq. Range (GHz)	Bandwidth Max. (MHz)	Insertion Loss Max. (dB)	Isolation Min. (dB)	VSWR Max.	Load Power (W)	Connector Type
KTMC-1602AS	16.4 - 17.2	full	0.5(1→2) 0.9(2→3)	23(2→1) 35(3→2)	1.25	10	GWB

### Mechanical Dimensions (mm):



### HOW TO ORDER

