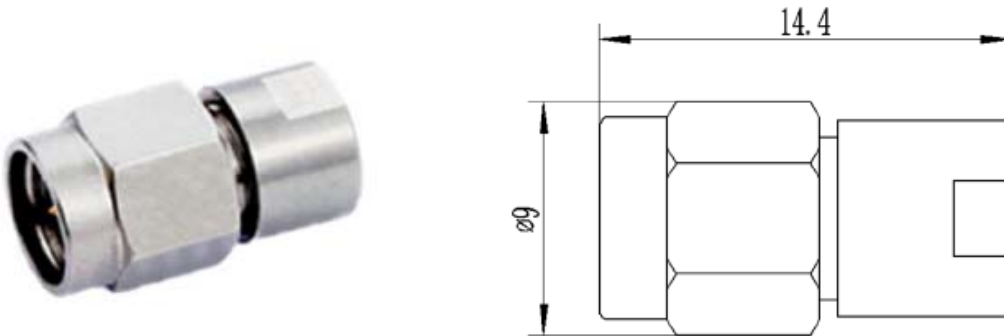


## SMA, DC-26.5GHz, 2W

### Electrical Specifications

- ◇ **Nominal Impedance:** 50  $\Omega$
- ◇ **Power Rating:** 2W
- ◇ **Connector Type:** SMA(Male)
- ◇ **Operating Temperature:** -55°C ~ +125°C
- ◇ **RoHS Compliant**

### Outline Drawing (mm)



Part Number	Frequency Range(GHz)	VSWR (Max.)	Dimensions (mm)	Weight (g)
CT50-2-S-6	DC-6	1.10	$\Phi 9 \times 14.4$	5
CT50-2-S-12.4	DC-12.4	1.15		
CT50-2-S-18	DC-18	1.20		
CT50-2-S-26.5	DC-26.5	1.30		

### Notes:

1. Input power shall meet the requirements of the power derating.
2. General peak power 10 times rated power (5 $\mu$ s pulse width, 1% duty cycle).