

## SMA Coaxial Fixed Terminations

### Electrical Features

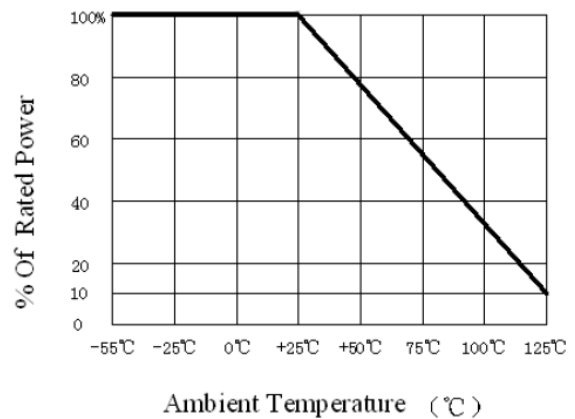
- ✧ **Nominal Impedance:** 50  $\Omega$
- ✧ **Power Rating:** 2W-10W
- ✧ **Frequency Range :** DC-26.5GHz
- ✧ **Operating Temperature:** -55 $^{\circ}$ C to +125 $^{\circ}$ C
- ✧ **Connector Type:** SMA (Male)



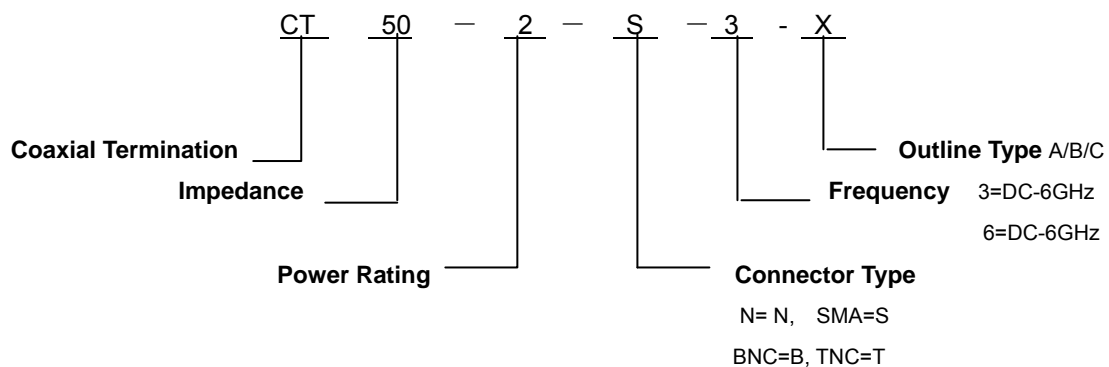
### Mechanical Features

- ✧ **Housing:** Aluminum
- ✧ **Connectors:** Brass Gold Plated or Stainless Steel
- ✧ **Male Pin:** Brass Gold Plated
- ✧ **Female Pin:** Beryllium Copper Gold Plated
- ✧ **Mechanical Tolerance:**  $\pm 5\%$
- ✧ **Packaging:** Box
- ✧ **RoHS Compliant**

### Power Derating



## HOW TO ORDER



### General Specifications for SMA Connector 1-10W DC-26.5GHz

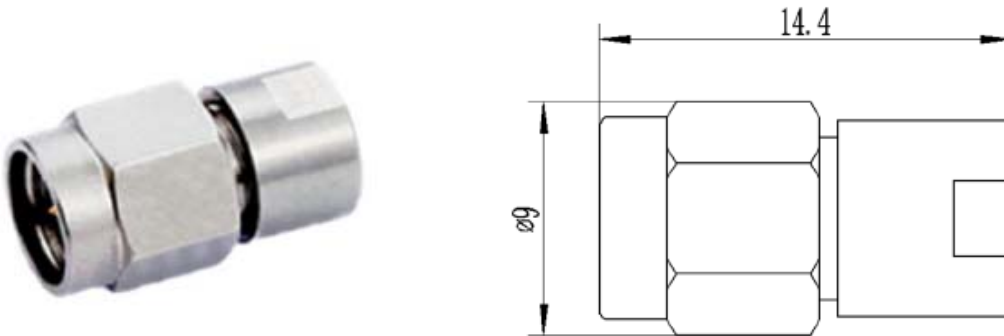
Part Number	Rated Power(W)	Frequency Rang (GHz)	VSWR (Max.)	Connector Type	Dimensions (mm)
CT50-2-S-6	1	DC-6	1.10	SMA(Male)	Φ9×14.4
CT50-2-S-12.4		DC-12.4	1.15		
CT50-2-S-18		DC-18	1.20		
CT50-2-S-26.5		DC-26.5	1.30		
CT50-2-S-6	2	DC-6	1.15	SMA(Male)	Φ9x15
CT50-2-S-12.4		DC-12.4	1.20		
CT50-2-S-18		DC-18	1.25		
CT50-5-S-6	5	DC-6	1.20	SMA(Male)	Φ 15.5x24
CT50-5-S-12.4		DC-12.4	1.25		
CT50-5-S-18		DC-18	1.30		
CT50-10-S-6	10	DC-6	1.20	SMA(Male)	Φ 17x44
CT50-10-S-12.4		DC-12.4	1.25		
CT50-10-S-18		DC-18	1.30		

## SMA , DC-26GHz, 2W

### Electrical Specifications

- ✧ **Nominal Impedance:** 50 Ω
- ✧ **Power Rating:** 2W
- ✧ **Connector Type:** SMA(Male)
- ✧ **Operating Temperature:** -55°C ~ +125°C
- ✧ **RoHS Compliant**

### Outline Drawing (mm)



Part Number	Frequency Range(GHz)	VSWR (Max.)	Dimensions (mm)	Weight (g)
CT50-2-S-6	DC-6	1.10	Φ9x14.4	5
CT50-2-S-12.4	DC-12.4	1.15		
CT50-2-S-18	DC-18	1.20		
CT50-2-S-26	DC-26.5	1.30		

### Notes:

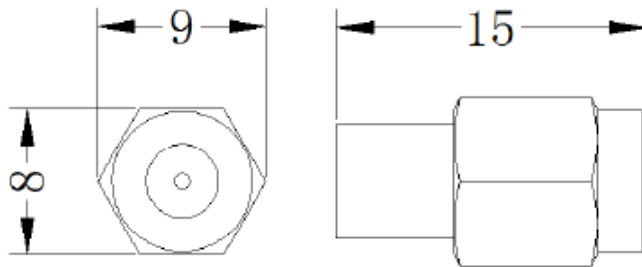
1. Input power shall meet the requirements of the power derating.
2. General peak power 10 times rated power (5μs pulse width, 1% duty cycle).

## SMA, DC-18GHz, 2W

### Electrical Specifications

- ✧ **Nominal Impedance:** 50 Ω
- ✧ **Power Rating:** 2W
- ✧ **Connector Type:** SMA(Male)
- ✧ **Operating Temperature:** -55°C ~ +125°C
- ✧ **RoHS Compliant**

### Outline Drawing (mm)



Part Number	Frequency Range(GHz)	VSWR (Max.)	Dimensions (mm)	Weight (g)
CT50-2-N-6	DC-6	1.15	Φ9x15	4
CT50-2-N-12.4	DC-12.4	1.20		
CT50-2-N-18	DC-18	1.25		

### Notes:

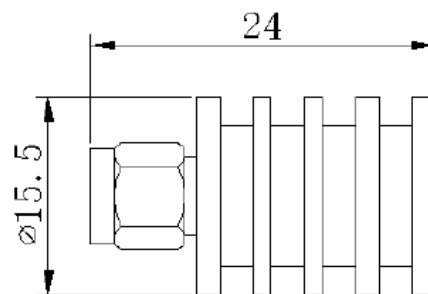
1. Input power shall meet the requirements of the power derating.
2. General peak power 10 times rated power (5μs pulse width, 1% duty cycle).

### SMA , DC-18GHz, 5W

#### Electrical Specifications

- ◇ **Nominal Impedance:** 50 Ω
- ◇ **Power Rating:** 5W
- ◇ **Connector Type:** SMA(Male)
- ◇ **Operating Temperature:** -55°C ~ +125°C
- ◇ **RoHS Compliant**

#### Outline Drawing (mm)



Part Number	Frequency Range(GHz)	VSWR (Max.)	Dimensions (mm)	Weight (g)
CT50-5-N-6	DC-6	1.15	Φ 15.4x24	8.5
CT50-5-N-12.4	DC-12.4	1.20		
CT50-5-N-18	DC-18	1.25		

#### Notes:

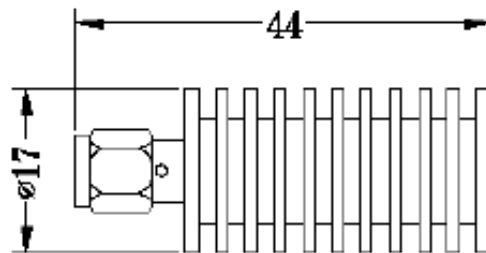
1. Input power shall meet the requirements of the power derating.
2. General peak power 10 times rated power (5μs pulse width, 1% duty cycle).

## SMA , DC-18GHz, 10W

### Electrical Specifications

- ◇ **Nominal Impedance:** 50 Ω
- ◇ **Power Rating:** 10W
- ◇ **Connector Type:** SMA(Male)
- ◇ **Operating Temperature:** -55°C ~ +125°C
- ◇ **RoHS Compliant**

### Outline Drawing (mm)



Part Number	Frequency Range(GHz)	VSWR (Max.)	Dimensions (mm)	Weight (g)
CT50-10-N-6	DC-6	1.20	Φ 17x44	16
CT50-10-N-12.4	DC-12.4	1.25		
CT50-10-N-18	DC-18	1.30		

### Notes:

1. Input power shall meet the requirements of the power derating.
2. General peak power 10 times rated power (5μs pulse width, 1% duty cycle).