

Flange Attenuators

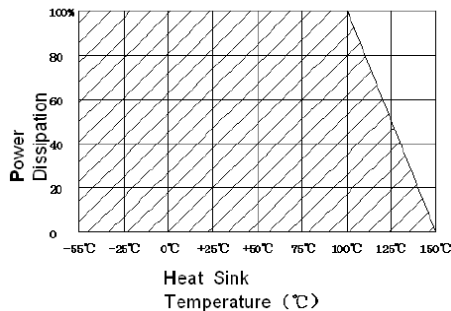
Electrical Features

- ◇ **Impedance:** 50 Ω
- ◇ **Power Rating:** 2W-400W
- ◇ **Frequency Range:** DC-6GHz
- ◇ **Attenuation Value:** 1-30dB
- ◇ **Attenuation Tolerance:** 1-10dB ±0.6dB / 11-20dB ±0.8dB / 21-30dB ±1.0dB
- ◇ **Operating Temperature:** -55°C to +150°C
- ◇ **RoHS Compliant**

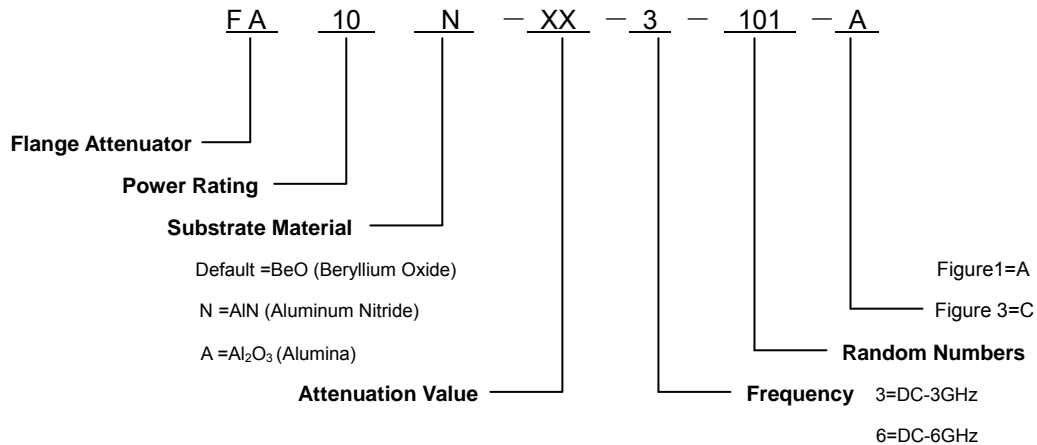
Mechanical Features

- ◇ **Substrate Material:** AlN, BeO, Al₂O₃
- ◇ **Mounting Flange:** 100% Copper, Nickel Plated
- ◇ **Lead:** Beryllium Copper, Silver Plated
- ◇ **Cover:** Alumina
- ◇ **Mechanical Tolerance:** ±2%
- ◇ **Packaging:** Plastic Box

Power Derating



HOW TO ORDER



General Specifications and Dimensions for 10W-250W DC-6GHz

Part Number	Power Rating (W)	Frequency (GHz)	Attenuation Value (dB)	VSWR (Max.)	Dimensions (mm)			Outline Drawing
					L	W	T	
FA10-20-6-702A	10	DC-6	20	1.25 :1	4	4	1	Figure 1
FA30-XX-3-110A	30	DC-3	1-10	1.20 :1	13	6	3.5	Figure 1
FA30-15-3-110A	30	DC-3	15	1.20 :1	13	6	3.5	Figure 1
FA30-20-3-110A	30	DC-3	20	1.20 :1	13	6	3.5	Figure 1
FA30-30-3-110A	30	DC-3	30	1.20 :1	13	6	3.5	Figure 1
FA50-XX-3-110A	50	DC-3	1-10	1.20 :1	20	6	3.5	Figure 1
FA50-15-3-110A	50	DC-3	15	1.20 :1	20	6	3.5	Figure 1
FA50-20-3-110A	50	DC-3	20	1.20 :1	20	6	3.5	Figure 1
FA50-30-3-110A	50	DC-3	30	1.20 :1	20	6	3.5	Figure 1
FA100N-20-3-501C	100	DC-3	20	1.20 :1	20	6	2.9	Figure 3
FA100N-30-3-501C	100	DC-3	30	1.20 :1	20	6	2.9	Figure 3
FA150N-20-3-332C	150	DC-3	20	1.20 :1	20.8	6.5	2.9	Figure 3
FA150N-30-3-332C	150	DC-3	30	1.20 :1	20.8	6.5	2.9	Figure 3
FA250-30-1-701A	250	DC-1	30	1.25:1	32	12.7	6.2	Figure 1

* Customized products are available, please consult with Kete.

Outline Drawing

Figure 1 (A)

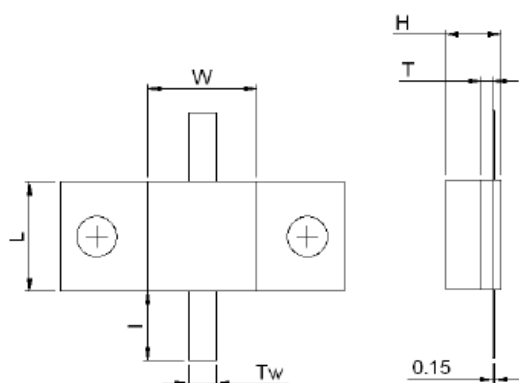
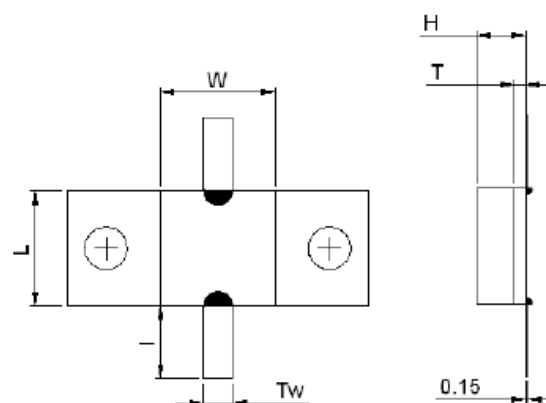


Figure 3 (C)

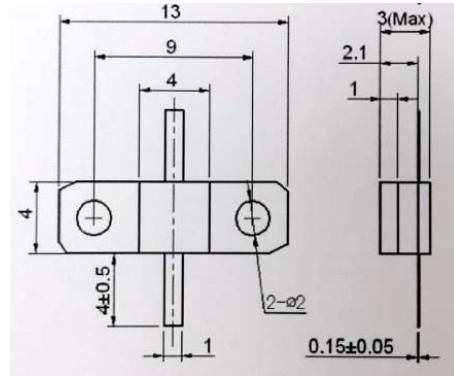


Part Number: FA10-20-6-702A

Electrical Specifications

- ✧ **Impedance:** 50 Ω
- ✧ **Power Rating:** 10W
- ✧ **Frequency:** DC-6GHz
- ✧ **VSWR (Max.):** 1.25 :1
- ✧ **Attenuation Value:** 20dB
- ✧ **Operating Temperature:** -55°C to +150°C
- ✧ **Substrate:** BeO
- ✧ **Lead Length:** 4mm
- ✧ **RoHS Compliant**

Outline Drawing (mm)

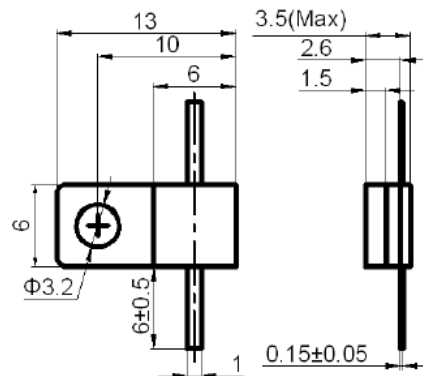


Part Number: FA30-XX-3-110A

Electrical Specifications

- ✧ **Impedance:** 50 Ω
- ✧ **Power Rating:** 30W
- ✧ **Frequency:** DC-3GHz
- ✧ **VSWR (Max.):** 1.20 :1
- ✧ **Attenuation Value:** 1-10, 15, 20 , 30dB
- ✧ **Operating Temperature:** -55°C to +150°C
- ✧ **Substrate:** BeO
- ✧ **Lead Length:** 6mm
- ✧ **RoHS Compliant**

Outline Drawing (mm)

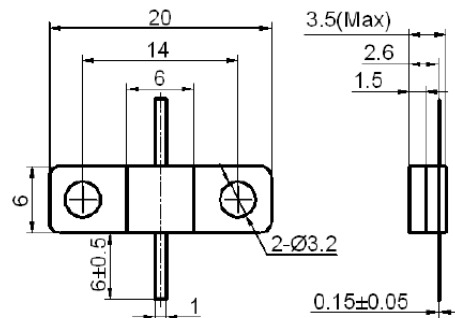


Part Number: FA50-XX-3-110A

Electrical Specifications

- ✧ **Impedance:** 50 Ω
- ✧ **Power Rating:** 50W
- ✧ **Frequency:** DC-3GHz
- ✧ **VSWR (Max.):** 1.20 :1
- ✧ **Attenuation Value:** 1-10, 15, 20, 30dB
- ✧ **Operating Temperature:** -55°C to +150°C
- ✧ **Substrate:** BeO
- ✧ **Lead Length:** 6mm
- ✧ **RoHS Compliant**

Outline Drawing (mm)

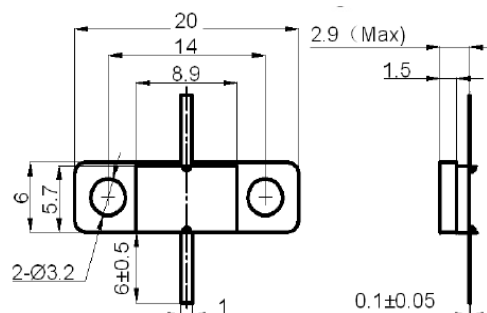


Part Number: FA100N-XX-3-501C

Electrical Specifications

- ✧ Impedance: 50 Ω
- ✧ Power Rating: 100W
- ✧ Frequency: DC-3GHz
- ✧ VSWR (Max.): 1.20 :1
- ✧ Attenuation Value: 20, 30dB
- ✧ Operating Temperature: -55°C to +150°C
- ✧ Substrate: AlN
- ✧ Lead Length: 6mm
- ✧ RoHS Compliant

Outline Drawing (mm)

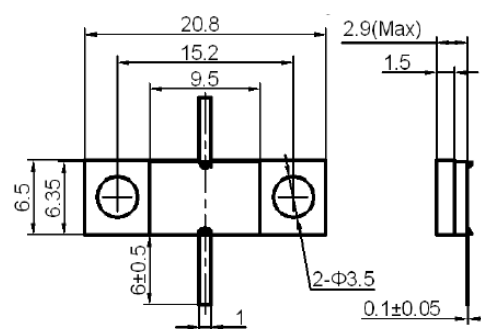


Part Number: FA150N-XX-3-332C

Electrical Specifications

- ✧ Impedance: 50 Ω
- ✧ Power Rating: 150W
- ✧ Frequency: DC-3GHz
- ✧ VSWR (Max.): 1.20 :1
- ✧ Attenuation Value: 20, 30dB
- ✧ Operating Temperature: -55°C to +150°C
- ✧ Substrate: AlN
- ✧ Lead Length: 6mm
- ✧ RoHS Compliant

Outline Drawing (mm)

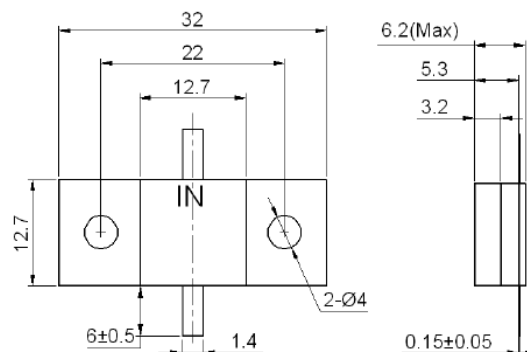


Part Number: FA250-30-1-701A

Electrical Specifications

- ✧ Impedance: 50 Ω
- ✧ Power Rating: 250W
- ✧ Frequency: DC-1GHz
- ✧ VSWR (Max.): 1.25 :1
- ✧ Attenuation Value: 30dB
- ✧ Operating Temperature: -55°C to +150°C
- ✧ Substrate: BeO
- ✧ Lead Length: 6mm
- ✧ RoHS Compliant

Outline Drawing (mm)



Installation Instructions

1. Make sure that the devices are mounted on flat surfaces (0.025mm under the device) to optimize the heat transfer.
2. Coat heat sink with a minimum amount of high quality silicone grease (0.025mm max. thickness).
3. Position device on mounting surface and secure using socket head screws, flat & split washers.
4. Forming a small hoop in the tab (see below) will act as a strain relief as the heat is dissipated.

