

Surface Mount Resistors

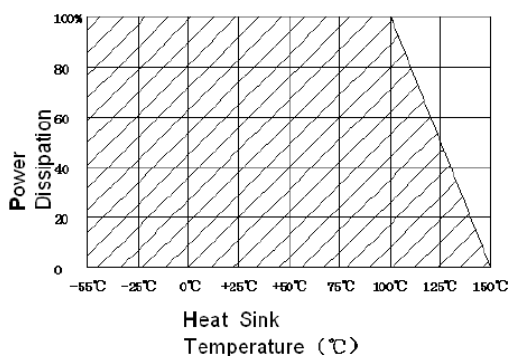
Electrical Features

- ◇ **Standard Resistance:** 100Ω (4Ω~1000Ω available)
- ◇ **Resistive Tolerance:** ±5% standard; ±2%, ±1% available
- ◇ **Power Rating:** 5W-800W
- ◇ **Operating Temperature:** -55°C to +150°C
- ◇ **Temperature Coefficient:** <150ppm/°C
- ◇ **RoHS Compliant**

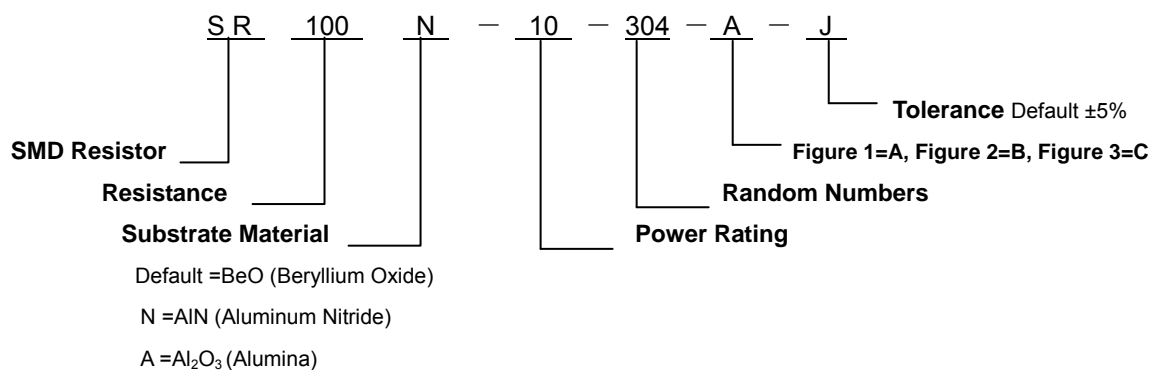
Mechanical Features

- ◇ **Substrate:** AlN, BeO, Al₂O₃
- ◇ **Mechanical Tolerance:** ±2%
- ◇ **Packaging:** Carrier Tape (5000pc/reel), Plastic Box

Power Derating



HOW TO ORDER



General Specifications and Dimensions for 2W-400W

Part Number	Power Rating (W)	Dimensions (mm)					Outline Drawing
		L	W	H	A	B	
SR100N-2-201A	2	2.54	1.27	0.6	N/A	N/A	Figure 1
SR100-5-302A	5	5	2.5	1	1.25	N/A	Figure 1
SR100N-5-302A	5	5	2.5	1	1.25	N/A	Figure 1
SR50N-8-301A	8	9.5	6.35	1	N/A	N/A	Figure 1
SR100N-10-303C	10	5	2.5	1	1	0.6	Figure 3
SR100-10-303C	10	5	2.5	1	1	0.6	Figure 3
SR100-400-603B	400	12.7	12.7	1	N/A	N/A	Figure 2

* Customized products are available, please consult with Kete.

Outline Drawing

Figure 1 (A)

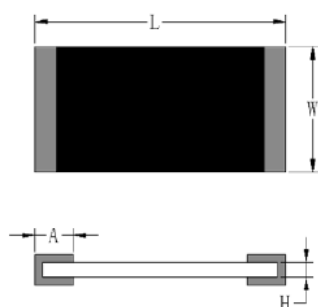


Figure 2 (B)

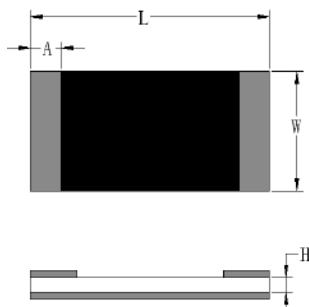
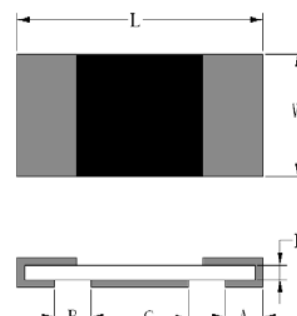


Figure 3 (C)



Installation Instruction

1. Solder part or leads in place with controlled temperature iron (260°C).
2. Drill thermal via through PCB and fill with solder.

