

Flange Terminations

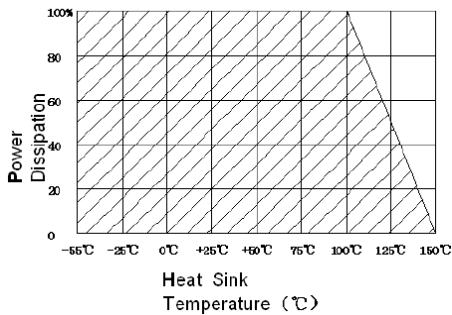
Electrical Features

- ✧ **Nominal Impedance:** 50 Ω
- ✧ **Resistive Tolerance:** ±5%; ±2%, ±1% available
- ✧ **Power Rating:** 5W-1000W
- ✧ **Frequency Range:** DC-18GHz
- ✧ **Operating Temperature:** -55°C to +150°C
- ✧ **Temperature Coefficient:** <150ppm/°C
- ✧ **RoHS Compliant**

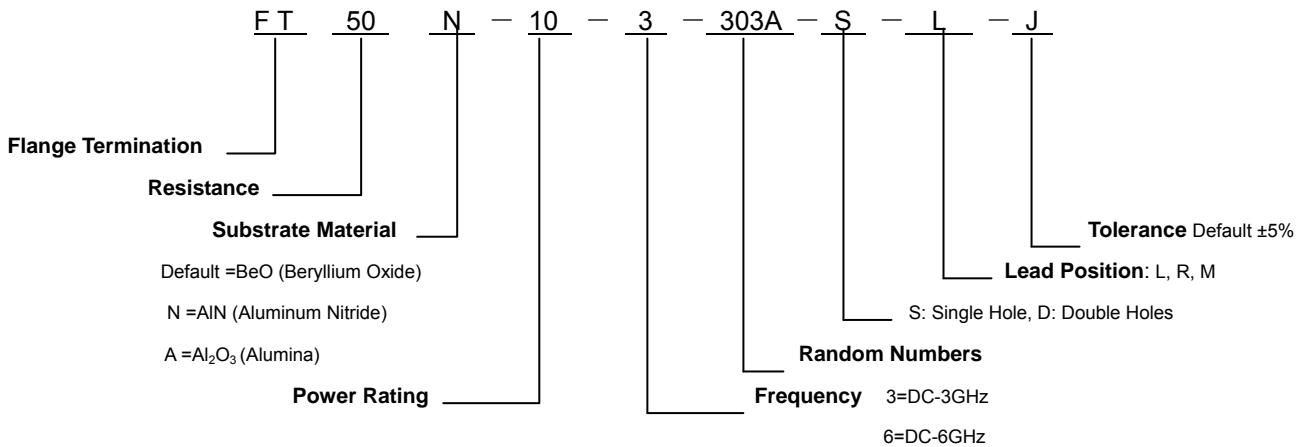
Mechanical Features

- ✧ **Substrate Material:** AlN, BeO, Al₂O₃
- ✧ **Mounting Flange:** 100% Copper, Nickel Plated
- ✧ **Lead:** Beryllium Copper, Silver Plated
- ✧ **Cover:** Alumina Ceramic
- ✧ **Resistive Elements:** Thin Film, Thick Film
- ✧ **Mechanical Tolerance:** ±2%
- ✧ **Packaging:** Plastic Box

Power Derating

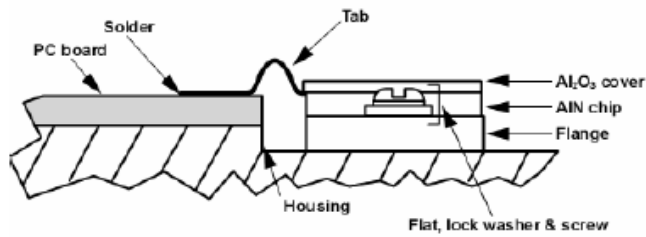


HOW TO ORDER



Installation Instructions

1. Place device on mounting surface and secure using socket head screws, flat & split washers.
2. Coat heat sink with a minimum amount of high quality silicone grease (thickness less than 0.025mm) .
3. Make sure that the devices are mounted on flat surfaces (0.025mm under device) to optimize the heat transfer.
4. Forming a small hoop in the tab will act as a strain relief as the heat is dissipated.



General Specifications and Dimensions for 10W-1000W DC-18GHz

Part Number	Power Rating (W)	Standard Impedance (Ω)	Frequency (GHz)	VSWR (Max.)	Dimensions (mm)
FT50-10-3-707A-D-M-J	10	50	DC-3	1.20:1	13.0x4.0x3.0
FT50N-20-3-308A-S-L-J	20	50	DC-3	1.20:1	7.7x5.0x3.5
FT50N-20-3-308A-S-R-J	20	50	DC-3	1.20:1	7.7x5.0x3.5
FT50-20-18-402A-S-M-J	20	50	DC-18	1.35:1	7.7x5.0x3.1
FT50N-100-3-503B-D-M-J	100	50	DC-3	1.20:1	20.0x6.0x2.9
FT50N-150-3-306B-D-M-J	150	50	DC-3	1.20:1	22.1x9.5x2.9
FT50N-150-3-323B-D-M-J	150	50	DC-3	1.20:1	20.8x6.5x2.9
FT50N-150-3-701B-D-M-J	150	50	DC-3	1.20:1	22.1x9.5x3.4
FT50-200-9-718A-D-M-J	200	50	DC-9	1.20:1	32x12.7x6.2
FT50N-250-3-525B-D-M-J	250	50	DC-3	1.20:1	24.8x9.5x4.4
FT50-250-3-019A-D-M-J	250	50	DC-3	1.20:1	24.8x9.5x5.5
FT50N-250-3-011B-D-M-J	250	50	DC-2.5	1.20:1	24.8x9.5x4.9
FT50-500-6-003-D-M-J	500	50	DC-6	1:30:1	35.0x20.0x7.0
FT50-800-1.1-102-D-M-J	800	50	DC-1.1	1.20:1	48.3x26.4x6.3
FT50-1000-6-801A-D-M-J	1000	50	DC-6	1:30:1	40.0x30.0x6.6

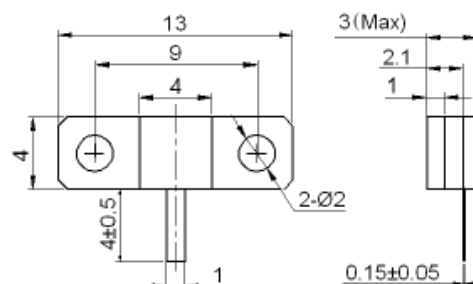
* Customized products are available, please consult with Kete.

Part Number: FT50-10-3-707A-D-M-J

Electrical Specifications

- ◇ **Resistance:** 50 Ω
- ◇ **Resistive Tolerance:** ±5%
- ◇ **Power Rating:** 10W
- ◇ **Frequency:** DC-3GHz
- ◇ **VSWR (Max.):** 1.20:1
- ◇ **Operating Temperature:** -55°C to +150°C
- ◇ **Temperature Coefficient:** <150ppm/°C
- ◇ **Substrate:** BeO
- ◇ **Lead Length:** 4mm
- ◇ **RoHS Compliant**

Outline Drawing (mm)

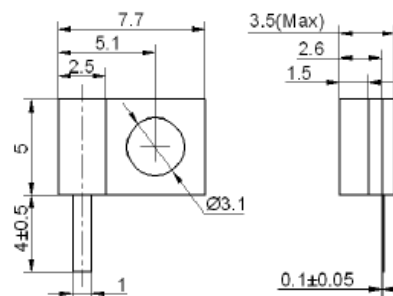


Part Number: FT50N-20-3-308A-S-L-J

Electrical Specifications

- ◇ **Resistance:** 50 Ω
- ◇ **Resistive Tolerance:** ±5%
- ◇ **Power Rating:** 20W
- ◇ **Frequency:** DC-3GHz
- ◇ **VSWR (Max.):** 1.20:1
- ◇ **Operating Temperature:** -55°C to +150°C
- ◇ **Temperature Coefficient:** <150ppm/°C
- ◇ **Substrate:** AlN
- ◇ **Lead Length:** 4mm
- ◇ **RoHS Compliant**

Outline Drawing (mm)

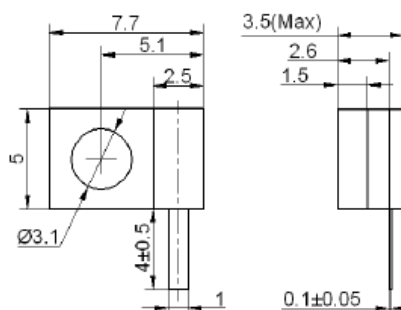


Part Number: FT50N-20-3-308A-S-R-J

Electrical Specifications

- ◇ **Resistance:** 50 Ω
- ◇ **Resistive Tolerance:** ±5%
- ◇ **Power Rating:** 20W
- ◇ **Frequency:** DC-3GHz
- ◇ **VSWR (Max.):** 1.20:1
- ◇ **Operating Temperature:** -55°C to +150°C
- ◇ **Temperature Coefficient:** <150ppm/°C
- ◇ **Substrate:** AlN
- ◇ **Lead Length:** 4mm
- ◇ **RoHS Compliant**

Outline Drawing (mm)

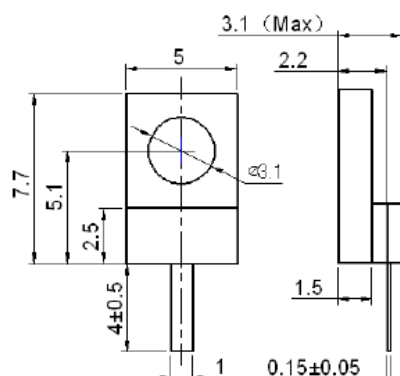


Part Number: FT50-20-18-402A-S-M-J

Electrical Specifications

- ◇ **Resistance:** 50 Ω
- ◇ **Resistive Tolerance:** ±5%
- ◇ **Power Rating:** 20W
- ◇ **Frequency:** DC-18GHz
- ◇ **VSWR (Max.):** 1.35:1
- ◇ **Operating Temperature:** -55°C to +150°C
- ◇ **Temperature Coefficient:** <150ppm/°C
- ◇ **Substrate:** BeO
- ◇ **Lead Length:** 4mm
- ◇ **RoHS Compliant**

Outline Drawing (mm)

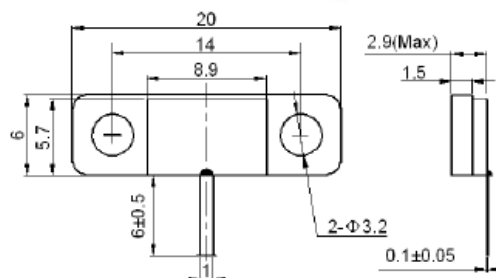


Part Number: FT50N-100-3-503B-D-M-J

Electrical Specifications

- ◇ **Resistance:** 50 Ω
- ◇ **Resistive Tolerance:** ±5%
- ◇ **Power Rating:** 100W
- ◇ **Frequency:** DC-3GHz
- ◇ **VSWR (Max.):** 1.20:1
- ◇ **Operating Temperature:** -55°C to +150°C
- ◇ **Temperature Coefficient:** <150ppm/°C
- ◇ **Substrate:** AlN
- ◇ **Lead Length:** 6mm
- ◇ **RoHS Compliant**

Outline Drawing (mm)

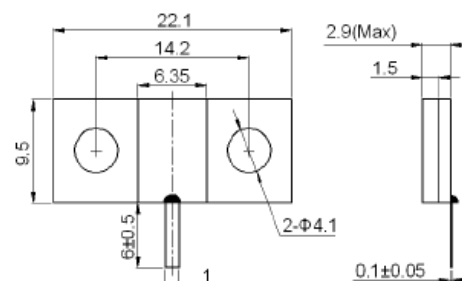


Part Number: FT50N-150-3-306B-D-M-J

Electrical Specifications

- ◇ **Resistance:** 50 Ω
- ◇ **Resistive Tolerance:** ±5%
- ◇ **Power Rating:** 150W
- ◇ **Frequency:** DC-3GHz
- ◇ **VSWR (Max.):** 1.20:1
- ◇ **Operating Temperature:** -55°C to +150°C
- ◇ **Temperature Coefficient:** <150ppm/°C
- ◇ **Substrate:** AlN
- ◇ **Lead Length:** 6mm
- ◇ **RoHS Compliant**

Outline Drawing (mm)

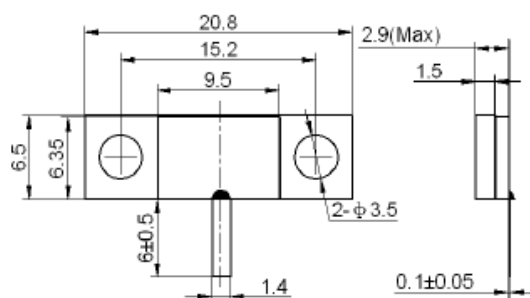


Part Number: FT50N-150-3-323B-D-M-J

Electrical Specifications

- ◇ Resistance: 50 Ω
- ◇ Resistive Tolerance: ±5%
- ◇ Power Rating: 150W
- ◇ Frequency: DC-3GHz
- ◇ VSWR (Max.): 1.25:1
- ◇ Operating Temperature: -55°C to +150°C
- ◇ Temperature Coefficient: <150ppm/°C
- ◇ Substrate: AlN
- ◇ Lead Length: 6mm
- ◇ RoHS Compliant

Outline Drawing (mm)

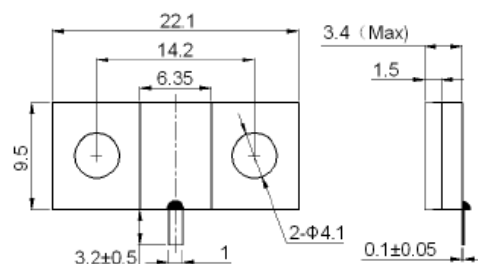


Part Number: FT50N-150-3-701B-D-M-J

Electrical Specifications

- ◇ Resistance: 50 Ω
- ◇ Resistive Tolerance: ±5%
- ◇ Power Rating: 150W
- ◇ Frequency: DC-3GHz
- ◇ VSWR (Max.): 1.20:1
- ◇ Operating Temperature: -55°C to +150°C
- ◇ Temperature Coefficient: <150ppm/°C
- ◇ Substrate: AlN
- ◇ Lead Length: 3.2mm
- ◇ RoHS Compliant

Outline Drawing (mm)

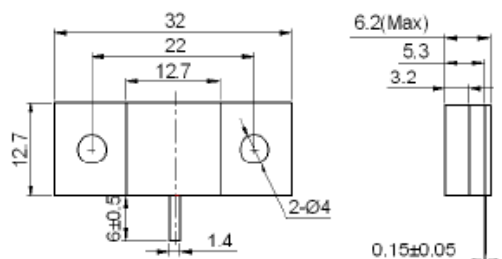


Part Number: FT50-200-9-718A-D-M-J

Electrical Specifications

- ◇ Resistance: 50 Ω
- ◇ Resistive Tolerance: ±5%
- ◇ Power Rating: 200W
- ◇ Frequency: DC-9GHz
- ◇ VSWR (Max.): 1.30:1
- ◇ Operating Temperature: -55°C to +150°C
- ◇ Temperature Coefficient: <150ppm/°C
- ◇ Substrate: BeO
- ◇ Lead Length: 6mm
- ◇ RoHS Compliant

Outline Drawing (mm)

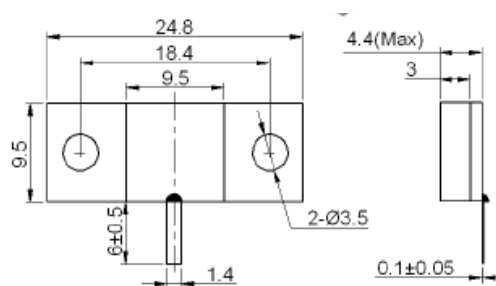


Part Number: FT50N-250-3-525B-D-M-J

Electrical Specifications

- ◇ **Resistance:** 50 Ω
- ◇ **Resistive Tolerance:** ±5%
- ◇ **Power Rating:** 250W
- ◇ **Frequency:** DC-3GHz
- ◇ **VSWR (Max.):** 1.20:1
- ◇ **Operating Temperature:** -55°C to +150°C
- ◇ **Temperature Coefficient:** <150ppm/°C
- ◇ **Substrate:** AlN
- ◇ **Lead Length:** 6mm
- ◇ **RoHS Compliant**

Outline Drawing (mm)

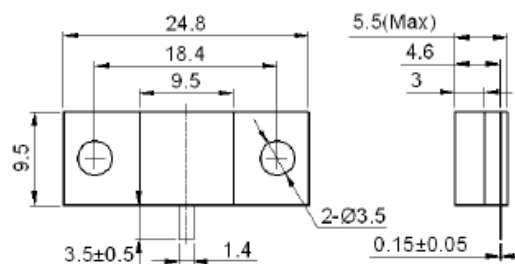


Part Number: FT50-250-3-019A-D-M-J

Electrical Specifications

- ◇ **Resistance:** 50 Ω
- ◇ **Resistive Tolerance:** ±5%
- ◇ **Power Rating:** 250W
- ◇ **Frequency:** DC-3GHz
- ◇ **VSWR (Max.):** 1.20:1
- ◇ **Operating Temperature:** -55°C to +150°C
- ◇ **Temperature Coefficient:** <150ppm/°C
- ◇ **Substrate:** BeO
- ◇ **Lead Length:** 3.5mm
- ◇ **RoHS Compliant**

Outline Drawing (mm)

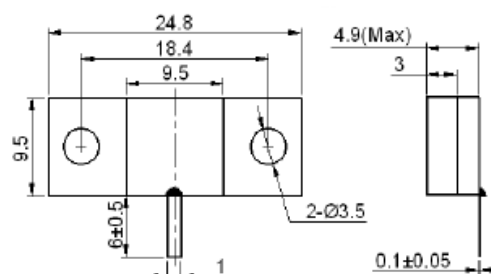


Part Number: FT50N-250-3-011B-D-M-J

Electrical Specifications

- ◇ **Resistance:** 50 Ω
- ◇ **Resistive Tolerance:** ±5%
- ◇ **Power Rating:** 250W
- ◇ **Frequency:** DC-2.5GHz
- ◇ **VSWR (Max.):** 1.20:1
- ◇ **Operating Temperature:** -55°C to +150°C
- ◇ **Temperature Coefficient:** <150ppm/°C
- ◇ **Substrate:** AlN
- ◇ **Lead Length:** 6mm
- ◇ **RoHS Compliant**

Outline Drawing (mm)

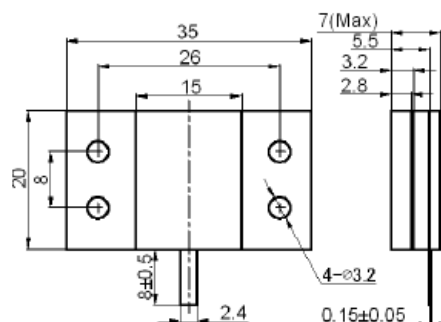


Part Number: FT50-500-6-003-D-M-J

Electrical Specifications

- ◇ **Resistance:** 50 Ω
- ◇ **Resistive Tolerance:** ±5%
- ◇ **Power Rating:** 500W
- ◇ **Frequency:** DC-6GHz
- ◇ **VSWR (Max.):** 1.30:1
- ◇ **Operating Temperature:** -55°C to +150°C
- ◇ **Temperature Coefficient:** <150ppm/°C
- ◇ **Substrate:** BeO
- ◇ **Lead Length:** 8mm
- ◇ **RoHS Compliant**

Outline Drawing (mm)

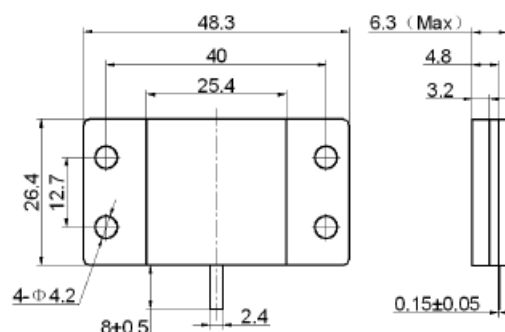


Part Number: FT50-800-1.1-102-D-M-J

Electrical Specifications

- ◇ **Resistance:** 50 Ω
- ◇ **Resistive Tolerance:** ±5%
- ◇ **Power Rating:** 800W
- ◇ **Frequency:** DC-1.1GHz
- ◇ **VSWR (Max.):** 1.20:1
- ◇ **Operating Temperature:** -55°C to +150°C
- ◇ **Temperature Coefficient:** <150ppm/°C
- ◇ **Substrate:** BeO
- ◇ **Lead Length:** 8mm
- ◇ **RoHS Compliant**

Outline Drawing (mm)



Part Number: FT50-1000-6-801A-D-M-J

Electrical Specifications

- ◇ **Resistance:** 50 Ω
- ◇ **Resistive Tolerance:** ±5%
- ◇ **Power Rating:** 1000W
- ◇ **Frequency:** DC-6GHz
- ◇ **VSWR (Max.):** 1.30:1
- ◇ **Operating Temperature:** -55°C to +150°C
- ◇ **Temperature Coefficient:** <150ppm/°C
- ◇ **Substrate:** BeO
- ◇ **Lead Length:** 6mm
- ◇ **RoHS Compliant**

Outline Drawing (mm)

