

Coaxial Fixed Attenuators

Product Description

Coaxial fixed attenuators are used in absorbing energy of transmission line, expanding power range and controlling power level, they are also used in accurately measuring power or spectrum of RF microwave transmitters accompany with small power meter, comprehensive tester or spectrum analyzer.

Kete coaxial fixed attenuators feature wide frequency band, low VSWR, flatness attenuation value etc.

Series Note

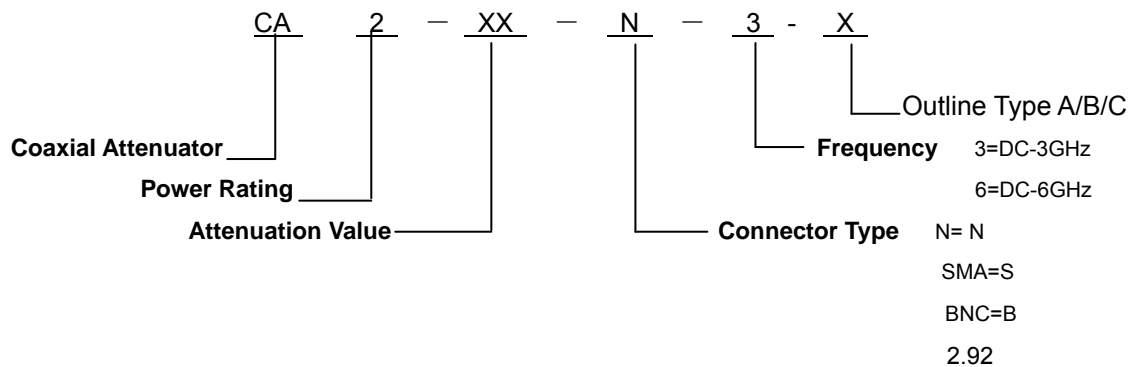
N Series: Rated Power 2-1000W, Frequency Range: DC-18GHz, Attenuation Value: 1-60dB

SMA Series: Rated Power 2-25W, Frequency Range: DC-26.5GHz, Attenuation Value: 1-30dB

BNC Series: Rated Power 2W, Frequency Range: DC-6GHz, Attenuation Value: 1-30dB

2.92 Series: Rated Power 2W, Frequency Range: DC-40GHz, Attenuation Value: 0.5-30dB

HOW TO ORDER



Example

CA2-2-10-N-3-A means coaxial attenuator with rated power 2W, frequency rang to 3GHz, connector type N (M/F) and type A.

Product Reference Guide

Part Number	Rated Power(W)	Frequency Rang (GHz)	Attenuation Value (dB)	VSWR (Max.)	Connector Type	Dimensions (mm)
CA2-XX-2.92-40	2	DC-40	0.5-15, 20, 30	1.50	2.92 mm	Φ 7.5x26
CA2-XX-N-3	2	DC-3	1-9,10, 20, 30	1.20	N	Φ 20x58
CA2-XX-N-6	2	DC-6	1-9,10, 20, 30	1.25	N	
CA5-XX-N-3-A	5	DC-3	1-9,10, 20, 30	1.20	N	Φ 30x58
CA5-XX-N-6-A		DC-6	1-9,10, 20, 30	1.25	N	
CA5-XX-N-6-B	5	DC-6	1-9,10, 20, 30	1.15	N	Φ 21x52
CA5-XX-N-12.4-B		DC-12.4	1-9,10, 20, 30	1.25	N	
CA5-XX-N-18-B		DC-18	1-9,10, 20, 30	1.30	N	
CA10-XX-N-3-A	10	DC-3	1-9,10, 20, 30	1.20	N	Φ 30x58
CA10-XX-N-6-A		DC-6	1-9,10, 20, 30	1.25	N	
CA10-XX-N-6-B	10	DC-6	1-9,10, 20, 30	1.20	N	Φ 21x71
CA10-XX-N-12.4-B		DC-12.4	1-9,10, 20, 30	1.25	N	
CA10-XX-N-18-B		DC-18	1-9,10, 20, 30	1.30	N	
CA20-XX-N-3	20	DC-3	1-9,10, 20, 30	1.20	N	Φ 35x72
CA20-XX-N-6		DC-6	1-9,10, 20, 30	1.25	N	
CA30-XX-N-3	30	DC-3	1-9,10, 20, 30	1.20	N	Φ 38x109
CA30-XX-N-6		DC-6	1-9,10, 20, 30	1.25	N	
CA50-XX-N-3-A	50	DC-3	1-9,10, 20, 30	1.20	N	Φ 45x109
CA50-XX-N-6-A		DC-6	1-9,10, 20, 30	1.25	N	
CA50-XX-N-3-B	50	DC-3	1-9,10, 20, 30	1.20	N	Φ 45x143
CA50-XX-N-8-B		DC-8	1-9,10, 20, 30	1.25	N	
CA50-XX-N-12.4-B		DC-12.4	1-9,10, 20, 30	1.30	N	
CA50-XX-N-18-B		DC-18	1-9,10, 20, 30	1.40	N	
CA50-XX-N-3-C	50	DC-3	1-9,10, 20, 30	1.20	N, 7/16	60x80x60
CA50-XX-N-6-C		DC-6	1-9,10, 20, 30	1.25	N, 7/16	
CA50-XX-N-3-D	50	DC-3	1-9,10, 20, 30	1.20	N	Φ 64x46
CA50-XX-N-8-D		DC-8	1-9,10, 20, 30	1.25	N	
CA50-XX-N-12.4-D		DC-12.4	1-9,10, 20, 30	1.30	N	
CA50-XX-N-18-D		DC-18	1-9,10, 20, 30	1.40	N	
CA100-XX-N-3-A	100	DC-3	1-9,10, 20, 30	1.20	N	120x100x60
CA100-XX-N-6-A		DC-6	1-9,10, 20, 30	1.30	N	
CA100-XX-N-6-B	100	DC-6	1-9,10, 20, 30	1.30	N	130x76x76
CA100-XX-N-8-B		DC-8	1-9,10, 20, 30	1.35	N	
CA100-XX-N-10-B		DC-10	1-9,10, 20, 30	1.40	N	
CA100-XX-N-12.4-C	100	DC-12.4	10, 20, 30, 40, 50	1.20	N	Φ 64x210
CA100-XX-N-18-C		DC-18	10, 20, 30, 40, 50	1.30	N	

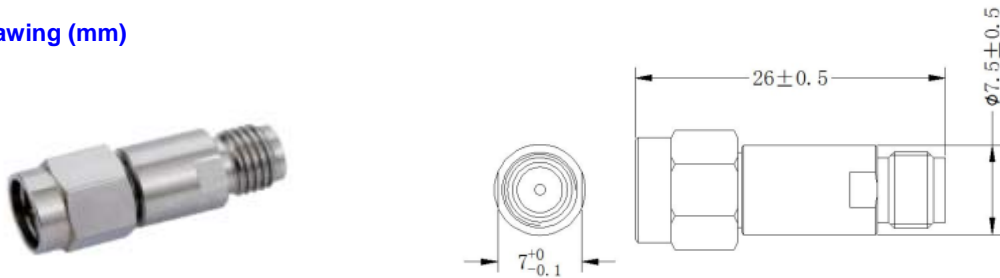
Part Number	Rated Power(W)	Frequency Rang (GHz)	Attenuation Value (dB)	VSWR (Max.)	Connector Type	Dimensions (mm)
CA200-XX-N-3-A	200	DC-3	1-9,10, 20, 30	1.20	N, 7/16	200x142x65
CA200-XX-N-6-A		DC-6	1-9,10, 20, 30	1.30	N, 7/16	
CA200-XX-N-6-B	200	DC-6	1-9,10, 20, 30	1.30	N	200x142x65
CA200-XX-N-8-B		DC-8	1-9,10, 20, 30	1.35	N	
CA200-XX-N-10-B		DC-10	1-9,10, 20, 30	1.40	N	
CA300-XX-N-3-B	300	DC-3	1-9,10, 20, 30	1.20	N, 7/16	230x160x87
CA300-XX-N-6-B		DC-6	1-9,10, 20, 30	1.40	N, 7/16	
CA500-XX-N-3	500	DC-3	1-9,10, 20, 30	1.30	N, 7/16	400x245x97
CA500-XX-N-6		DC-6	1-9,10, 20, 30	1.30	N, 7/16	
CA1000-XX-L29B-3	1000	DC-3	30,40,50,60	1.40	7/16	400x410x147
CA1000-XX-L29B-6		DC-6	30,40,50,60	1.50	7/16	
CA2-XX-S-6-A	2	DC-6	1-9,10, 20, 30	1.20	SMA	Φ9.5x31
CA2-XX-S-12.4-A		DC-12.4	1-9,10, 20, 30	1.25	SMA	
CA2-XX-S-18-A		DC-18	1-9,10, 20, 30	1.20	SMA	
CA2-XX-S-6-B	2	DC-6	1-9,10, 20, 30	1.25	SMA	Φ7.6x21.7
CA2-XX-S-12.4-B		DC-12.4	1-9,10, 20, 30	1.15	SMA	
CA2-XX-S-18-B		DC-18	1-9,10, 20, 30	1.25	SMA	
CA2-XX-S-26.5-B		DC-26.5	1-9,10, 20, 30	1.30	SMA	
CA5-XX-S-6	5	DC-6	1-9,10, 20, 30	1.20	SMA	Φ15.5x32
CA5-XX-S-12.4		DC-12.4	1-9,10, 20, 30	1.25	SMA	
CA5-XX-S-18		DC-18	1-9,10, 20, 30	1.20	SMA	
CA10-XX-S-6	10	DC-6	1-9,10, 20, 30	1.25	SMA	Φ17x50
CA10-XX-S-12.4		DC-12.4	1-9,10, 20, 30	1.30	SMA	
CA10-XX-S-18		DC-18	1-9,10, 20, 30	1.20	SMA	
CA25-XX-S-6	25	DC-6	1-9,10, 20, 30	1.25	SMA	Φ45x50.5
CA25-XX-S-12.4		DC-12.4	1-9,10, 20, 30	1.20	SMA	
CA25-XX-S-18		DC-18	1-9,10, 20, 30	1.25	SMA	
CA2-XX-B-3	2	DC-3	1-9,10, 20, 30	1.25	BNC	Φ15x50
CA2-XX-B-6		DC-6	1-9,10, 20, 30	1.20	BNC	

2.92, DC-40GHz, 2W

Electrical Specifications

- ◇ **Nominal Impedance:** 47-52.5 Ω
- ◇ **Power Rating:** 2W
- ◇ **Connector Type:** 2.92 (Male/Female)
- ◇ **Operating Temperature:** -55°C to +125°C
- ◇ **Dimension:** $\Phi 7.5 \times 26 \text{mm}$
- ◇ **Net Weight:** 6g
- ◇ **RoHS Compliant**

Outline Drawing (mm)



Part Number	Frequency Range(GHz)	Attenuation Value & Accuracy (dB)		Peak Power (W)	VSWR
		0.5 -15	20/30		
CA2-XX-2.92-40	DC-40	-1.0/+1.5	± 1.5	50W (1 μ S pulse width, 1% duty cycle)	1.30 :1 @ DC-31.5GHz 1.35 :1 @ 31.5-40GHz

* 0.5 -15dB: increase progressively with 0.5dB.

* xx refer to attenuator value in dB.

Notes:

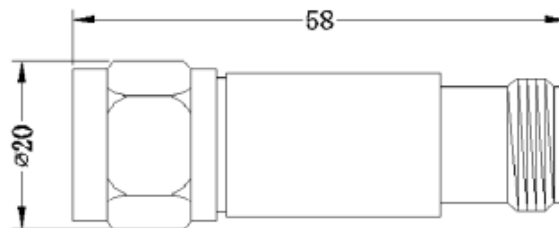
1. The coaxial fixed attenuator must pay attention to the power input direction.
2. Input power shall meet the requirements of the power derating.
3. General peak power 10 times rated power (1 μ s pulse width, 1% duty cycle).

N Series, DC-6GHz, 2W

Electrical Specifications

- ◇ **Nominal Impedance:** 50 Ω
- ◇ **Power Rating:** 2W
- ◇ **Connector Type:** N(Male/Female)
- ◇ **Operating Temperature:** -55°C to +125°C
- ◇ **Dimension:** Φ20x58mm
- ◇ **Net Weight:** 65g
- ◇ **RoHS Compliant**

Outline Drawing (mm)



Part Number	Frequency Range(GHz)	Attenuation Value & Accuracy (dB)				VSWR (Max.)
		1-9	10	20	30	
CA2-XX-N-3	DC-3	±0.4	±0.5	±0.6	±0.8	1.20
CA2-XX-N-6	DC-6	±0.6	±0.6	±0.8	±1.0	1.25

*xx refer to attenuator value in dB.

Notes:

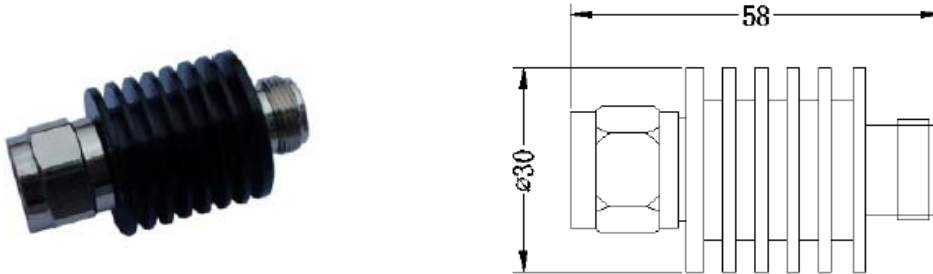
1. The coaxial fixed attenuator must pay attention to the power input direction.
2. Input power shall meet the requirements of the power derating.
3. General peak power 10 times rated power (5μs pulse width, 1% duty cycle).

N Series, DC-6GHz, 5W

Electrical Specifications

- ◇ **Nominal Impedance:** 50 Ω
- ◇ **Power Rating:** 5W
- ◇ **Connector Type:** N(Male/Female)
- ◇ **Operating Temperature:** -55°C to +125°C
- ◇ **Dimension:** Φ30x58mm
- ◇ **Net Weight:** 75g
- ◇ **RoHS Compliant**

Outline Drawing (mm)



Part Number	Frequency Range(GHz)	Attenuation Value & Accuracy (dB)				VSWR (Max.)
		1-9	10	20	30	
CA5-XX-N-3-A	DC-3	±0.4	±0.5	±0.6	±0.8	1.20
CA5-XX-N-6-A	DC-6	±0.6	±0.6	±0.8	±1.0	1.25

*xx refer to attenuator value in dB.

Notes:

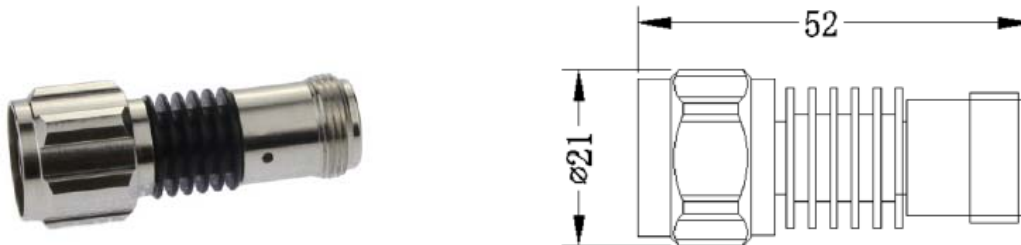
1. The coaxial fixed attenuator must pay attention to the direction of .
2. Input power shall meet the requirements of the power derating.
3. peak power 10 times rated power (5μs pulse width, 1% duty cycle).

N Series, DC-18GHz, 5W

Electrical Specifications

- ◇ **Nominal Impedance:** 50 Ω
- ◇ **Power Rating:** 5W
- ◇ **Connector Type:** N(Male/Female)
- ◇ **Operating Temperature:** -55°C to +125°C
- ◇ **Dimension:** Φ21x52mm
- ◇ **Net Weight:** 49g
- ◇ **RoHS Compliant**

Outline Drawing (mm)



Part Number	Frequency Range(GHz)	Attenuation Value & Accuracy (dB)				VSWR (Max.)
		1-9	10	20	30	
CA5-XX-N-6-B	DC-6	±0.4	±0.5	±0.6	±0.8	1.15
CA5-XX-N-12.4-B	DC-12.4	±0.7	±0.7	±0.8	±1.0	1.25
CA5-XX-N-18-B	DC-18	±0.7	±0.7	±0.8	±1.0	1.30

*xx refer to attenuator value in dB.

Notes:

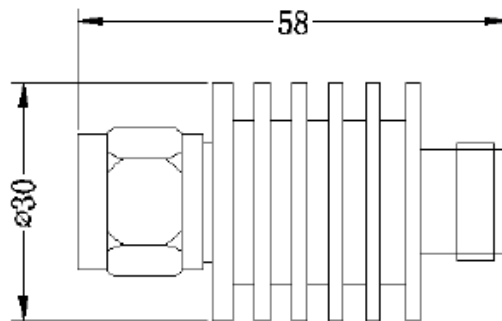
1. The coaxial fixed attenuator must pay attention to the power input direction.
2. Input power shall meet the requirements of the power derating.
3. General Peak power 10 times rated power (5μs pulse width, 1% duty cycle).

N Series, DC-6GHz, 10W

Electrical Specifications

- ◇ **Nominal Impedance:** 50 Ω
- ◇ **Power Rating:** 10W
- ◇ **Connector Type:** N(Male/Female)
- ◇ **Operating Temperature:** -55°C to +125°C
- ◇ **Dimension:** Φ30x58mm
- ◇ **Net Weight:** 75g
- ◇ **RoHS Compliant**

Outline Drawing (mm)



Part Number	Frequency Range(GHz)	Attenuation Value & Accuracy (dB)				VSWR (Max.)
		1-9	10	20	30	
CA10-XX-N-3-A	DC-3	±0.4	±0.5	±0.6	±0.8	1.20
CA10-XX-N-6-A	DC-6	±0.6	±0.6	±0.8	±1.0	1.25

*xx refer to attenuator value in dB.

Notes:

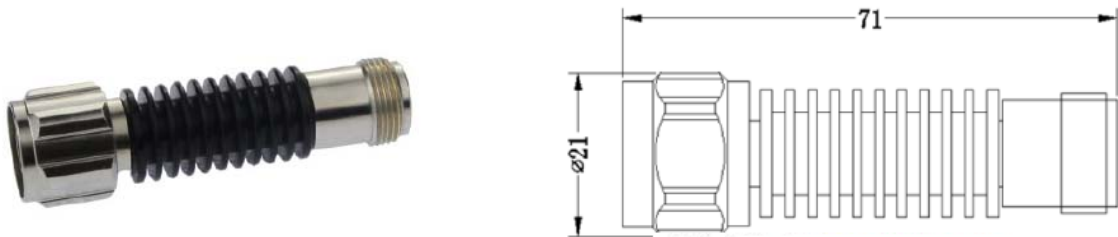
1. The coaxial fixed attenuator must pay attention to the power input direction.
2. Input power shall meet the requirements of the power derating.
3. General peak power 10 times rated power (5μs pulse width, 1% duty cycle).

N Series, DC-18GHz, 10W

Electrical Specifications

- ◇ **Nominal Impedance:** 50 Ω
- ◇ **Power Rating:** 10W
- ◇ **Connector Type:** N(Male/Female)
- ◇ **Operating Temperature:** -55°C to +125°C
- ◇ **Dimension:** Φ21x71mm
- ◇ **Net Weight:** 58g
- ◇ **RoHS Compliant**

Outline Drawing (mm)



Part Number	Frequency Range(GHz)	Attenuation Value & Accuracy (dB)				VSWR (Max.)
		1-9	10	20	30	
CA10-XX-N-6-B	DC-6	±0.4	±0.5	±0.6	±0.8	1.20
CA10-XX-N-12.4-B	DC-12.4	±0.7	±0.7	±0.8	±1.0	1.25
CA10-XX-N-18-B	DC-18	±0.7	±0.7	±0.8	±1.0	1.30

*xx refer to attenuator value in dB.

Notes:

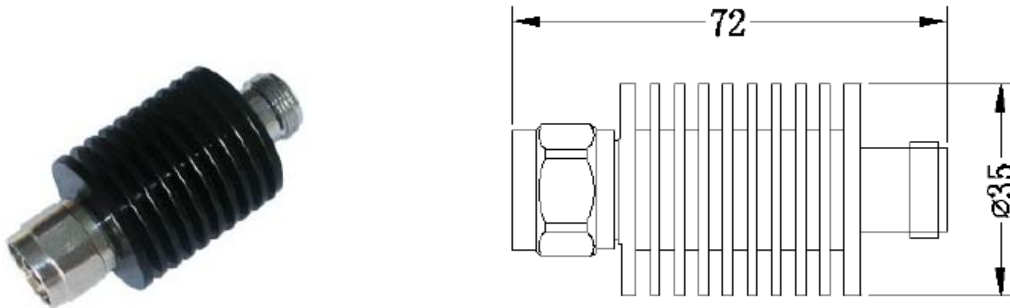
1. The coaxial fixed attenuator must pay attention to the power input direction.
2. Input power shall meet the requirements of the power derating.
3. General peak power 10 times rated power (5μs pulse width, 1% duty cycle).

N Series, DC-6GHz, 20W

Electrical Specifications

- ◇ **Nominal Impedance:** 50 Ω
- ◇ **Power Rating:** 20W
- ◇ **Connector Type:** N(Male/Female)
- ◇ **Operating Temperature:** -55°C to +125°C
- ◇ **Dimension:** Φ35x72mm
- ◇ **Net Weight:** 210g
- ◇ **RoHS Compliant**

Outline Drawing (mm)



Part Number	Frequency Range(GHz)	Attenuation Value & Accuracy (dB)				VSWR (Max.)
		1-9	10	20	30	
CA20-XX-N-3	DC-3	±0.4	±0.5	±0.6	±0.8	1.20
CA20-XX-N-6	DC-6	±0.6	±0.8	±0.8	±1.0	1.25

*xx refer to attenuator value in dB.

Notes:

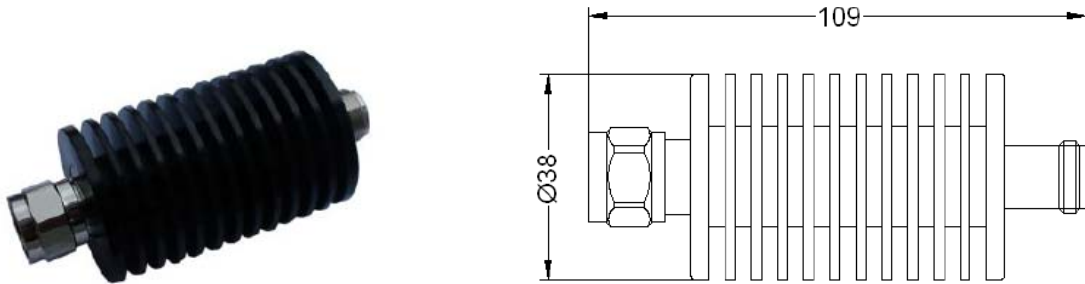
1. The coaxial fixed attenuator must pay attention to the power input direction.
2. Input power shall meet the requirements of the power derating.
3. General peak power 10 times rated power (5μs pulse width, 1% duty cycle).

N Series, DC-6GHz, 30W

Electrical Specifications

- ◇ **Nominal Impedance:** 50 Ω
- ◇ **Power Rating:** 30W
- ◇ **Connector Type:** N(Male/Female)
- ◇ **Operating Temperature:** -55°C to +125°C
- ◇ **Dimension:** Φ38x109mm
- ◇ **Net Weight:** 206g
- ◇ **RoHS Compliant**

Outline Drawing (mm)



Part Number	Frequency Range(GHz)	Attenuation Value & Accuracy (dB)				VSWR (Max.)
		1-9	10	20	30	
CA30-XX-N-3	DC-3	±0.4	±0.5	±0.6	±0.8	1.20
CA30-XX-N-6	DC-6	±0.6	±0.8	±0.8	±1.0	1.25

*xx refer to attenuator value in dB.

Notes:

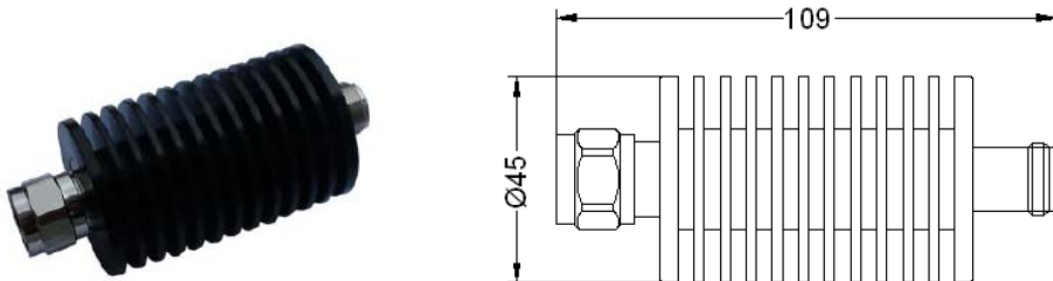
1. The coaxial fixed attenuator must pay attention to the power input direction.
2. Input power shall meet the requirements of the power derating.
3. General peak power 10 times rated power (5μs pulse width, 1% duty cycle).

N Series, DC-6GHz, 50W

Electrical Specifications

- ◇ **Nominal Impedance:** 50 Ω
- ◇ **Power Rating:** 50W
- ◇ **Connector Type:** N(Male/Female)
- ◇ **Operating Temperature:** -55°C to +125°C
- ◇ **Dimension:** Φ45x109mm
- ◇ **Net Weight:** 245g
- ◇ **RoHS Compliant**

Outline Drawing (mm)



Part Number	Frequency Range(GHz)	Attenuation Value & Accuracy (dB)				VSWR (Max.)
		1-9	10	20	30	
CA50-XX-N-3-A	DC-3	±0.4	±0.5	±0.6	±0.8	1.20
CA50-XX-N-6-A	DC-6	±1.0	±1.0	±1.0	±1.0	1.25

*xx refer to attenuator value in dB.

Notes:

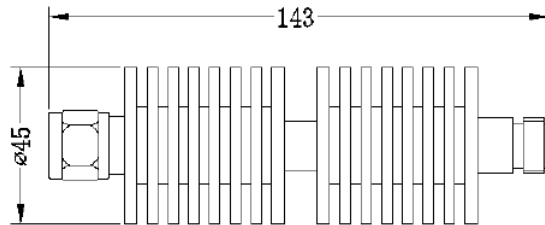
1. The coaxial fixed attenuator must pay attention to the power input direction.
2. Input power shall meet the requirements of the power derating.
3. General peak power 10 times rated power (5μs pulse width, 1% duty cycle).

N Series, DC-18GHz, 50W

Electrical Specifications

- ◇ **Nominal Impedance:** 50 Ω
- ◇ **Power Rating:** 50W
- ◇ **Connector Type:** N(Male/Female)
- ◇ **Operating Temperature:** -55°C to +125°C
- ◇ **Dimension:** $\Phi 45 \times 143 \text{mm}$
- ◇ **Net Weight:** 269g
- ◇ **RoHS Compliant**

Outline Drawing (mm)



Part Number	Frequency Range(GHz)	Attenuation Value & Accuracy (dB)				VSWR (Max.)
		1-9	10	20	30	
CA50-XX-N-3-B	DC-3	±0.4	±0.5	±0.6	±0.8	1.20
CA50-XX-N-8-B	DC-8	±0.8	±0.6	±0.8	±0.8	1.25
CA50-XX-N-12.4-B	DC-12.4	±0.8	±0.8	±1.0	±1.0	1.30
CA50-XX-N-18-B	DC-18	±1.20	±1.20	±1.20	±1.20	1.40

*xx refer to attenuator value in dB.

Notes:

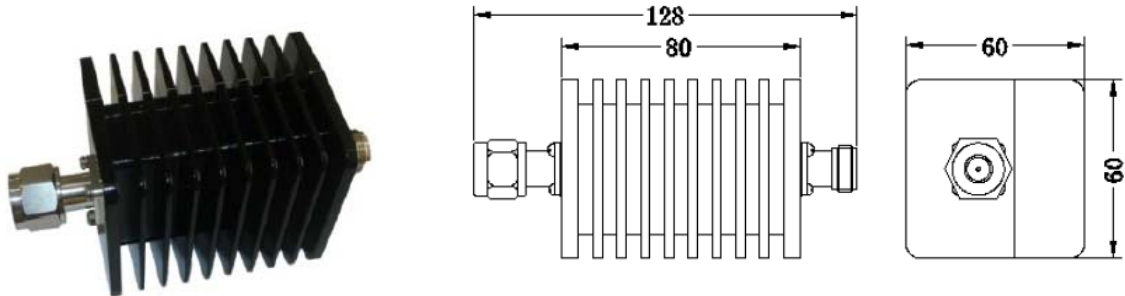
1. The coaxial fixed attenuator must pay attention to the power input direction.
2. Input power shall meet the requirements of the power derating.
3. General peak power 10 times rated power (5 μ s pulse width, 1% duty cycle).

N Series, DC-6GHz, 50W

Electrical Specifications

- ◇ **Nominal Impedance:** 50 Ω
- ◇ **Power Rating:** 50W
- ◇ **Connector Type:** N(Male/Female) or 7/16
- ◇ **Operating Temperature:** -55°C to +125°C
- ◇ **Dimension:** 60x80x60mm
- ◇ **Net Weight:** 418g
- ◇ **RoHS Compliant**

Outline Drawing (mm)



Part Number	Frequency Range(GHz)	Attenuation Value & Accuracy (dB)				VSWR (Max.)
		1-9	10	20	30	
CA50-XX-N-3-C	DC-3	±0.4	±0.5	±0.6	±0.8	1.20
CA50-XX-N-6-C	DC-6	±1.0	±1.0	±1.0	±1.0	1.25

*xx refer to attenuator value in dB.

Notes:

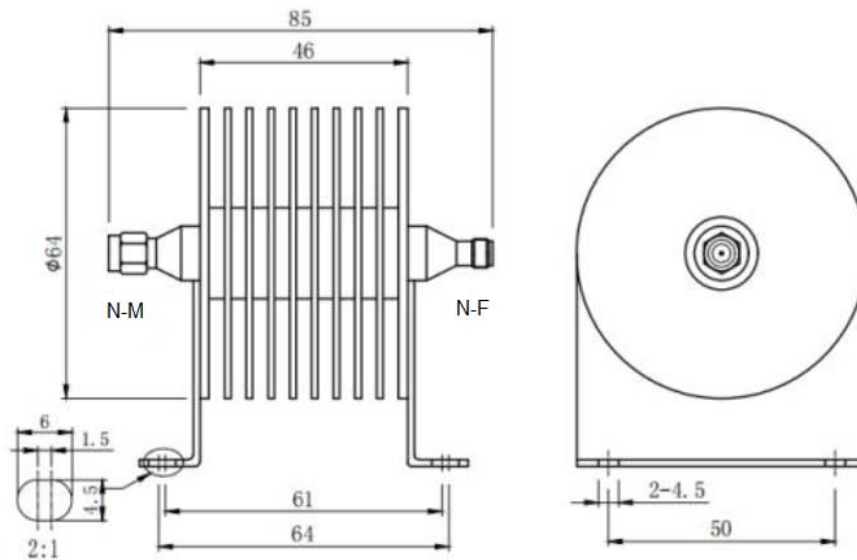
1. The coaxial fixed attenuator must pay attention to the power input direction.
2. Input power shall meet the requirements of the power derating.
3. General peak power 10 times rated power (5μs pulse width, 1% duty cycle).

N, DC-18GHz, 50W

Electrical Specifications

- ◇ **Nominal Impedance:** 50 Ω
- ◇ **Power Rating:** 50W
- ◇ **Connector Type:** N(Male/Female)
- ◇ **Operating Temperature:** -55°C to +125°C
- ◇ **Dimension:** Φ64x46 mm
- ◇ **Net Weight:** 250g
- ◇ **RoHS Compliant**

Outline Drawing (mm)



Part Number	Frequency Range(GHz)	Attenuation Value & Accuracy (dB)				VSWR (Max.)
		1-9	10	20	30	
CA50-XX-N-D	DC-3	±0.4	±0.5	±0.6	±0.8	1.20
CA50-XX-N-8-D	DC-8	±0.8	±0.6	±0.8	±0.8	1.25
CA50-XX-N-12.4-D	DC-12.4	±0.8	±0.8	±0.8	±1.0	1.30
CA50-XX-N-18-D	DC-18	±1.2	±1.2	±1.2	±1.2	1.40

* xx refer to attenuator value in dB.

Notes:

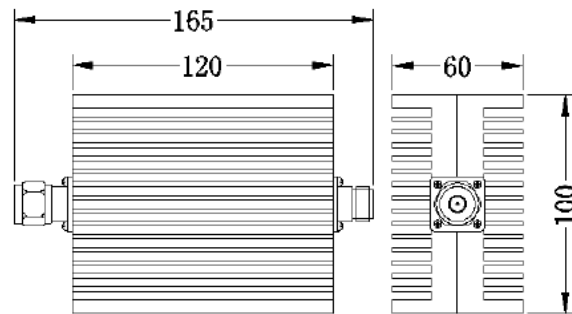
1. The coaxial fixed attenuator must pay attention to the direction of input power.
2. Input power shall meet the requirements of the power derating.
3. General peak power 10 times rated power (5μs pulse width, 1% duty cycle).

N Series, DC-6GHz, 100W

Electrical Specifications

- ◇ **Nominal Impedance:** 50 Ω
- ◇ **Power Rating:** 100W
- ◇ **Connector Type:** N(Male/Female) or 7/16
- ◇ **Operating Temperature:** -55°C to +125°C
- ◇ **Dimension:** 120x100x60mm
- ◇ **Net Weight:** 1.2kg
- ◇ **RoHS Compliant**

Outline Drawing (mm)



Part Number	Frequency Range(GHz)	Attenuation Value & Accuracy (dB)				VSWR (Max.)
		1-9	10	20	30	
CA100-XX-N-3-A	DC-3	±0.5	±0.5	±0.6	±0.8	1.20
CA100-XX-N-6-A	DC-6	±1.0	±1.0	±1.2	±1.2	1.30

*xx refer to attenuator value in dB.

Notes:

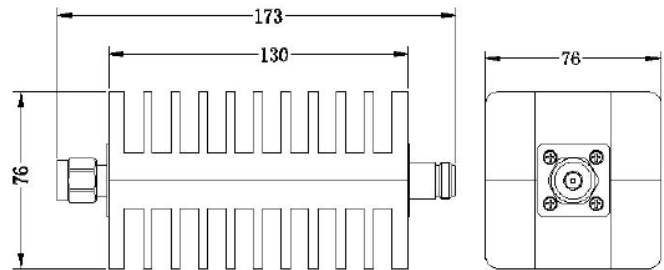
1. The coaxial fixed attenuator must pay attention to the power input direction.
2. Input power shall meet the requirements of the power derating.
3. General peak power 10 times rated power (5μs pulse width, 1% duty cycle).

N Series, DC-10GHz, 100W

Electrical Specifications

- ◇ **Nominal Impedance:** 50 Ω
- ◇ **Power Rating:** 100W
- ◇ **Connector Type:** N(Male/Female)
- ◇ **Operating Temperature:** -55°C to +125°C
- ◇ **Dimension:** 130x76x76mm
- ◇ **Net Weight:** 1.45kg
- ◇ **RoHS Compliant**

Outline Drawing (mm)



Part Number	Frequency Range(GHz)	Attenuation Value & Accuracy (dB)				VSWR (Max.)
		1-9	10	20	30	
CA100-XX-N-6-B	DC-6	±0.8	±0.8	±0.8	±0.8	1.30
CA100-XX-N-8-B	DC-8	±0.8	±0.8	±1.0	±1.0	1.35
CA100-XX-N-10-B	DC-10	±1.0	±0.8	±0.8	±1.0	1.40

*xx refer to attenuator value in dB.

Notes:

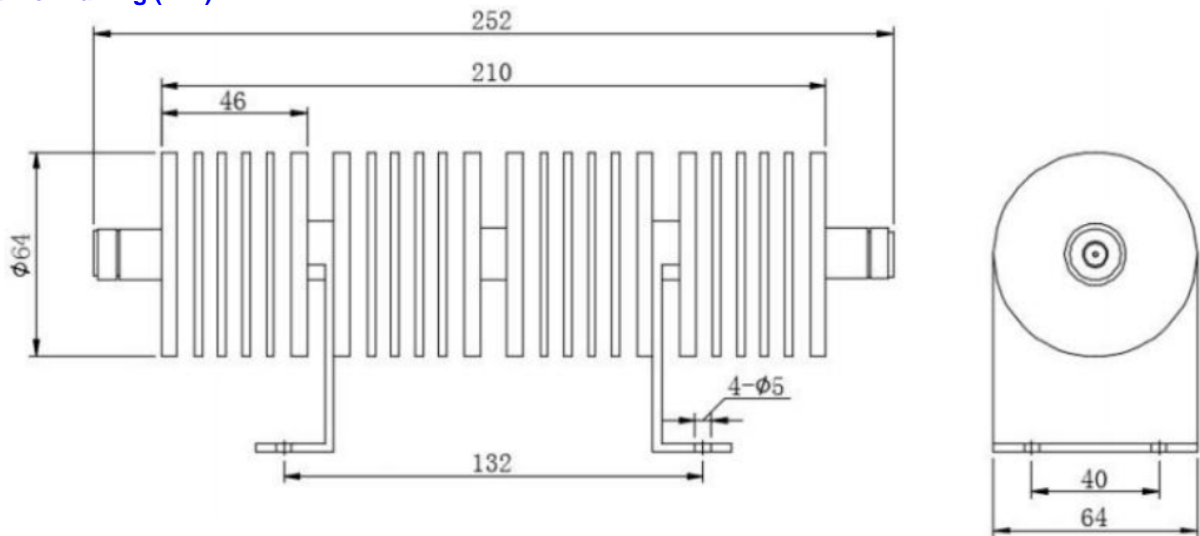
1. The coaxial fixed attenuator must pay attention to the power input direction.
2. Input power shall meet the requirements of the power derating.
3. General peak power 10 times rated power (5μs pulse width, 1% duty cycle).

N, DC-18GHz, 100W

Electrical Specifications

- ◇ **Nominal Impedance:** 50 Ω
- ◇ **Power Rating:** 100W
- ◇ **Connector Type:** N(Male/Female)
- ◇ **Operating Temperature:** -55°C to +125°C
- ◇ **Dimension:** Φ64x210mm
- ◇ **Net Weight:** 0.8kg
- ◇ **RoHS Compliant**

Outline Drawing (mm)



Part Number	Frequency Range(GHz)	Attenuation Value & Accuracy (dB)				VSWR (Max.)
		10, 20	30	40	50	
CA100-XX-N-12.4-C	DC-12.4	+1.0/-2.0	+0.7/-1.0	+0.5/-1.0	-0.5/+1.5	1.35
CA100-XX-N-18-C	DC-18	+2.5/-2.0	-1.0/-1.5	-1.0/+1.5	-1.0/+1.5	1.45

* xx refer to attenuator value in dB.

Notes:

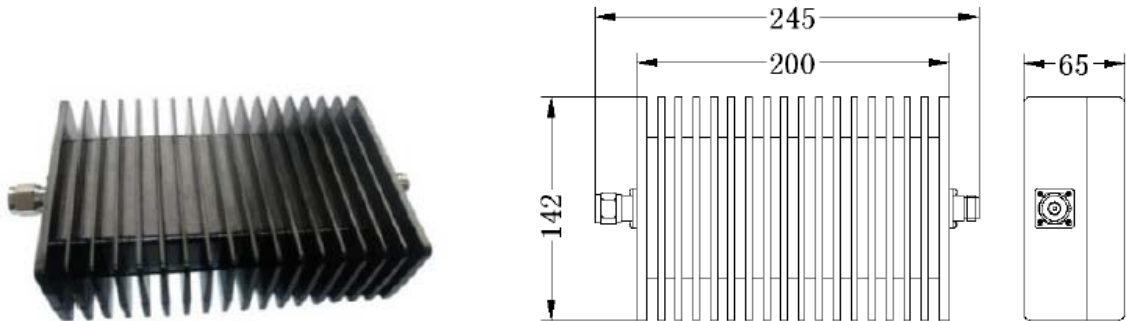
1. The coaxial fixed attenuator must pay attention to the power input direction.
2. Input power shall meet the requirements of the power derating.
3. General peak power 10 times rated power (5μs pulse width, 1% duty cycle).

N Series, DC-6GHz, 200W

Electrical Specifications

- ◇ **Nominal Impedance:** 50 Ω
- ◇ **Power Rating:** 200W
- ◇ **Connector Type:** N(Male/Female) or 7/16
- ◇ **Operating Temperature:** -55°C to +125°C
- ◇ **Dimension:** 200x142x65mm
- ◇ **Net Weight:** 2.4kg
- ◇ **RoHS Compliant**

Outline Drawing (mm)



Part Number	Frequency Range(GHz)	Attenuation Value & Accuracy (dB)				VSWR (Max.)
		1-9	10	20	30	
CA200-XX-N-3-A	DC-3	±0.6	±0.8	±0.8	±1.0	1.20
CA200-XX-N-6-A	DC-6	±1.5	±1.5	±1.5	±2.0	1.30

*xx refer to attenuator value in dB.

Notes:

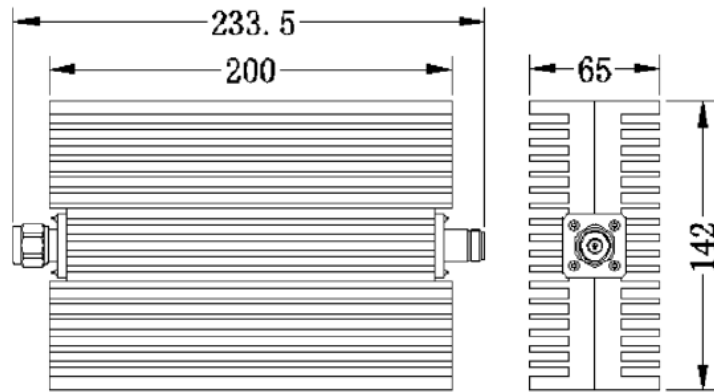
1. The coaxial fixed attenuator must pay attention to the power input direction.
2. Input power shall meet the requirements of the power derating.
3. General peak power 10 times rated power (5μs pulse width, 1% duty cycle).

N Series, DC-10GHz, 200W

Electrical Specifications

- ◇ **Nominal Impedance:** 50 Ω
- ◇ **Power Rating:** 200W
- ◇ **Connector Type:** N(Male/Female)
- ◇ **Operating Temperature:** -55°C to +125°C
- ◇ **Dimension:** 200x142x65mm
- ◇ **Net Weight:** 1.45kg
- ◇ **RoHS Compliant**

Outline Drawing (mm)



Part Number	Frequency Range(GHz)	Attenuation Value & Accuracy (dB)				VSWR (Max.)
		1-9	10	20	30	
CA200-XX-N-6-B	DC-6	±0.8	±0.8	±0.8	±0.8	1.30
CA200-XX-N-8-B	DC-8	±0.8	±0.8	±1.0	±1.0	1.35
CA200-XX-N-10-B	DC-10	±1.0	±0.8	±0.8	±1.0	1.40

*xx refer to attenuator value in dB.

Notes:

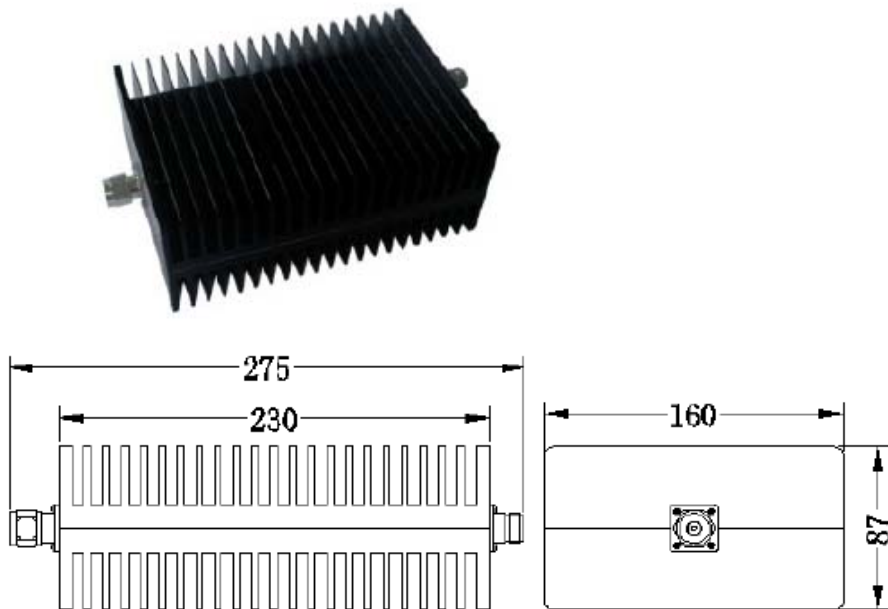
1. The coaxial fixed attenuator must pay attention to the power input direction.
2. Input power shall meet the requirements of the power derating.
3. General peak power 10 times rated power (5μs pulse width, 1% duty cycle).

N Series, DC-6GHz, 300W

Electrical Specifications

- ◇ **Nominal Impedance:** 50 Ω
- ◇ **Power Rating:** 300W
- ◇ **Connector Type:** N(Male/Female) or 7/16
- ◇ **Operating Temperature:** -55°C to +125°C
- ◇ **Dimension:** 230x160x87mm
- ◇ **Net Weight:** 3.4kg
- ◇ **RoHS Compliant**

Outline Drawing (mm)



Part Number	Frequency Range(GHz)	Attenuation Value & Accuracy (dB)				VSWR (Max.)
		1-9	10	20	30	
CA300-XX-N-3-B	DC-3	±0.6	±0.8	±0.8	±1.0	1.20
CA300-XX-N-6-B	DC-6	±1.5	±1.5	±2.0	±2.0	1.40

*xx refer to attenuator value in dB.

Notes:

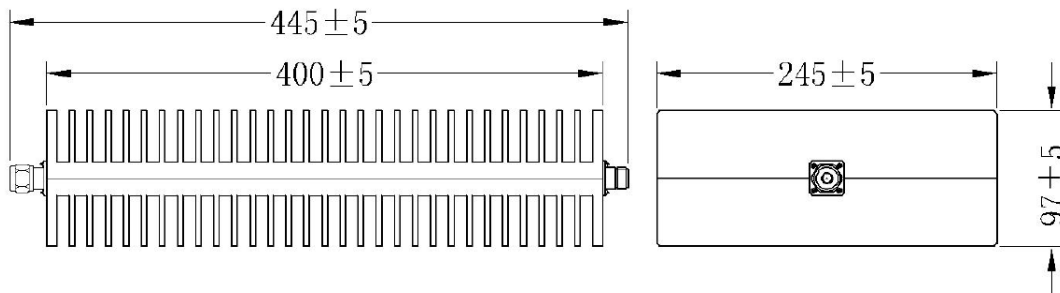
1. The coaxial fixed attenuator must pay attention to the power input direction.
2. Input power shall meet the requirements of the power derating.
3. General peak power 10 times rated power (5μs pulse width, 1% duty cycle).

N Series, DC-6GHz, 500W

Electrical Specifications

- ◇ **Nominal Impedance:** 50 Ω
- ◇ **Power Rating:** 500W
- ◇ **Connector Type:** N(Male/Female) or 7/16
- ◇ **Operating Temperature:** -55°C to +125°C
- ◇ **Dimension:** 400x245x97mm
- ◇ **Net Weight:** 10kg
- ◇ **RoHS Compliant**

Outline Drawing (mm)



Part Number	Frequency Range(GHz)	Attenuation Value & Accuracy (dB)				VSWR (Max.)
		1-9	10	20	30	
CA500-XX-N-3	DC-3	±1.0	±1.0	±1.0	±1.2	1.30
CA500-XX-N-6	DC-6	±2.0	±2.0	±2.0	±2.0	1.40

*xx refer to attenuator value in dB.

Notes:

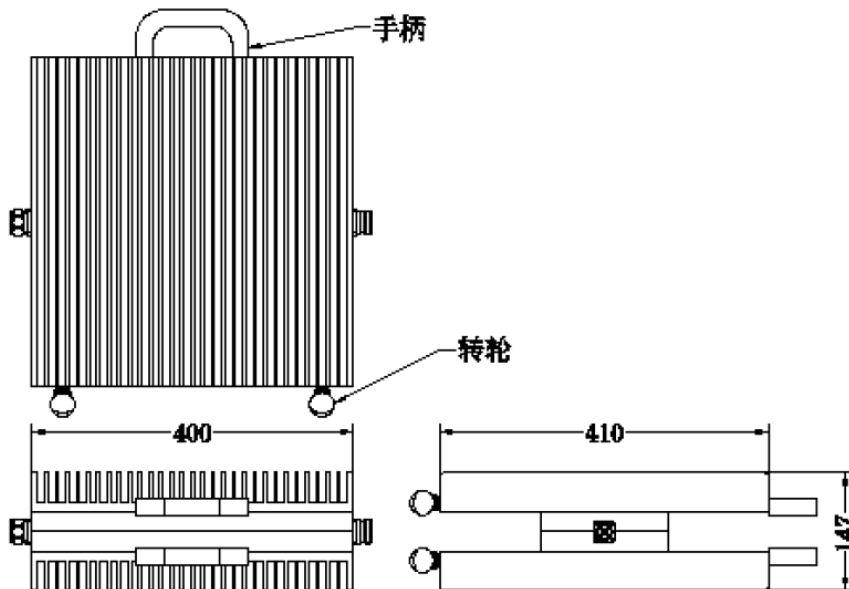
1. The coaxial fixed attenuator must pay attention to the power input direction.
2. Input power shall meet the requirements of the power derating.
3. General peak power 10 times rated power (5μs pulse width, 1% duty cycle).

DC-6GHz, 1000W, 7/16

Electrical Specifications

- ◇ **Nominal Impedance:** 50 Ω
- ◇ **Power Rating:** 1000W
- ◇ **Connector Type:** 7/16
- ◇ **Operating Temperature:** -40°C to +85°C
- ◇ **Dimension:** 400x410x147mm
- ◇ **Net Weight:** 20kg
- ◇ **RoHS Compliant**

Outline Drawing (mm)



Part Number	Frequency Range(GHz)	Attenuation Value & Accuracy (dB)				VSWR (Max.)
		30	40	50	60	
CA1000-XX-L29B-3	DC-3	±1.5	±1.5	±2.0	±2.0	1.40
CA1000-XX-L29B-6	DC-6	±2.0	±2.0	±2.5	±3.0	1.50

*xx refer to attenuator value in dB.

Notes:

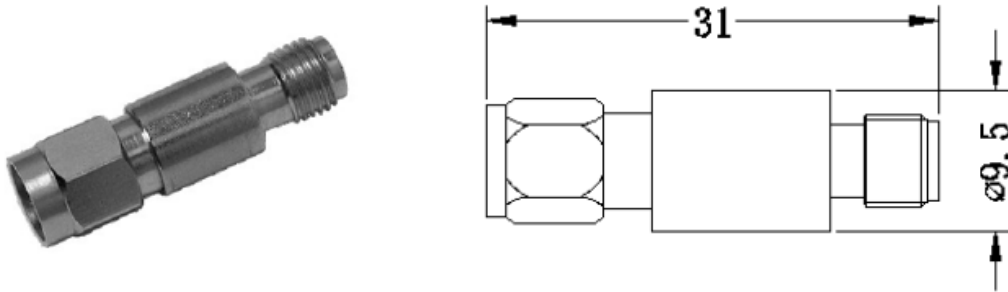
1. The coaxial fixed attenuator must pay attention to the power input direction.
2. Input power shall meet the requirements of the power derating.
3. General peak power 10 times rated power (5μs pulse width, 1% duty cycle).

SMA Series, DC-18GHz, 2W

Electrical Specifications

- ◇ **Nominal Impedance:** 50 Ω
- ◇ **Power Rating:** 2W
- ◇ **Connector Type:** SMA(Male/Female)
- ◇ **Operating Temperature:** -55°C to +125°C
- ◇ **Dimension:** Φ9.5x31mm
- ◇ **Net Weight:** 9g
- ◇ **RoHS Compliant**

Outline Drawing (mm)



Part Number	Frequency Range(GHz)	Attenuation Value & Accuracy (dB)				VSWR (Max.)
		1-9	10	20	30	
CA2-XX-S-6-A	DC-6	±0.4	±0.5	±0.6	±0.8	1.15
CA2-XX-S-12.4-A	DC-12.4	±0.7	±0.7	±0.8	±0.8	1.25
CA2-XX-S-18-A	DC-18	±0.7	±0.7	±0.8	±1.0	1.30

*xx refer to attenuator value in dB.

Notes:

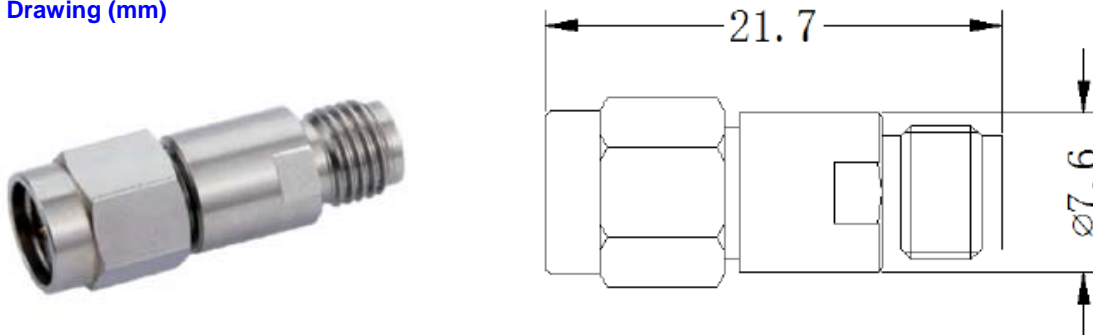
1. The coaxial fixed attenuator must pay attention to the direction of input power.
2. Input power shall meet the requirements of the power derating.
3. General peak power 10 times rated power (5μs pulse width, 1% duty cycle).

SMA Series, DC-26.5GHz, 2W

Electrical Specifications

- ◇ **Nominal Impedance:** 50 Ω
- ◇ **Power Rating:** 2W
- ◇ **Connector Type:** SMA(Male/Female)
- ◇ **Operating Temperature:** -55°C to +125°C
- ◇ **Dimension:** Φ7.6x21.7mm
- ◇ **Net Weight:** 5g
- ◇ **RoHS Compliant**

Outline Drawing (mm)



Part Number	Frequency Range(GHz)	Attenuation Value & Accuracy (dB)				VSWR (Max.)
		1-9	10	20	30	
CA2-XX-S-6-B	DC-6	±0.3	±0.3	±0.4	/	1.15
CA2-XX-S-12.4-B	DC-12.4	±0.4	±0.4	±0.5	/	1.25
CA2-XX-S-18-B	DC-18	±0.5	±0.5	±0.6	/	1.35
CA2-XX-S-26.5-B	DC-26.5	±0.6	±0.6	±0.7	/	1.50

*xx refer to attenuator value in dB.

Notes:

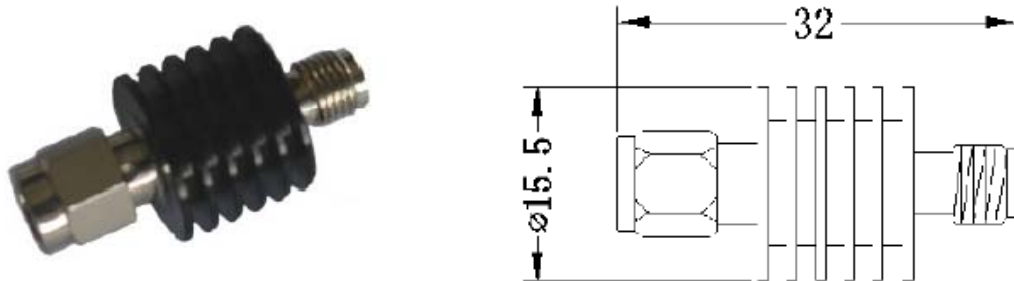
1. The coaxial fixed attenuator must pay attention to the direction of input power.
2. Input power shall meet the requirements of the power derating.
3. General peak power 10 times rated power (5μs pulse width, 1% duty cycle).

SMA Series, DC-18GHz, 5W

Electrical Specifications

- ◇ **Nominal Impedance:** 50 Ω
- ◇ **Power Rating:** 5W
- ◇ **Connector Type:** SMA(Male/Female)
- ◇ **Operating Temperature:** -55°C to +125°C
- ◇ **Dimension:** Φ15.5x32mm
- ◇ **Net Weight:** 8.7g
- ◇ **RoHS Compliant**

Outline Drawing (mm)



Part Number	Frequency Range(GHz)	Attenuation Value & Accuracy (dB)				VSWR (Max.)
		1-9	10	20	30	
CA5-XX-S-6	DC-6	±0.4	±0.5	±0.6	±0.8	1.15
CA5-XX-S-12.4	DC-12.4	±0.7	±0.7	±0.8	±0.8	1.25
CA5-XX-S-18	DC-18	±0.7	±0.7	±0.8	±1.0	1.30

*xx refer to attenuator value in dB.

Notes:

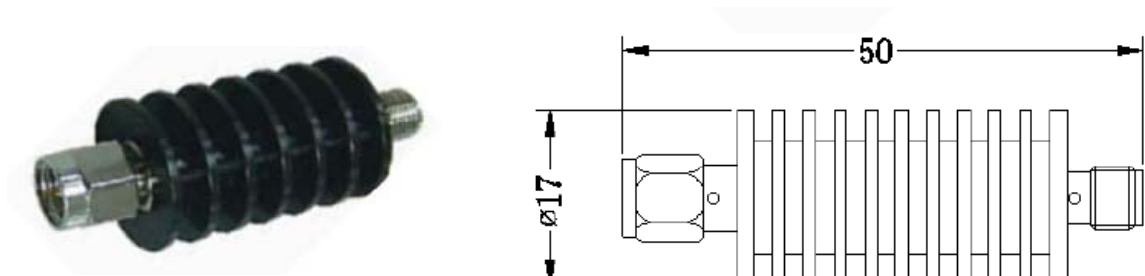
1. The coaxial fixed attenuator must pay attention to the direction of input power.
2. Input power shall meet the requirements of the power derating.
3. General peak power 10 times rated power (5μs pulse width, 1% duty cycle).

SMA Series, DC-18GHz, 10W

Electrical Specifications

- ◇ **Nominal Impedance:** 50 Ω
- ◇ **Power Rating:** 10W
- ◇ **Connector Type:** SMA(Male/Female)
- ◇ **Operating Temperature:** -55°C to +125°C
- ◇ **Dimension:** Φ17x50mm
- ◇ **Net Weight:** 19g
- ◇ **RoHS Compliant**

Outline Drawing (mm)



Part Number	Frequency Range(GHz)	Attenuation Value & Accuracy (dB)				VSWR (Max.)
		1-9	10	20	30	
CA10-XX-S-6	DC-6	±0.4	±0.5	±0.6	±0.8	1.20
CA10-XX-S-12.4	DC-12.4	±0.7	±0.7	±0.8	±1.0	1.25
CA10-XX-S-18	DC-18	±0.7	±0.7	±0.8	±1.0	1.30

*xx refer to attenuator value in dB.

Notes:

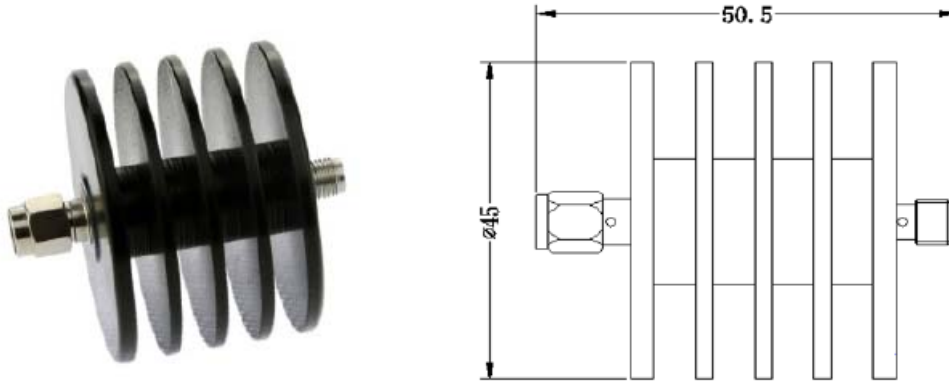
1. The coaxial fixed attenuator must pay attention to the direction of input power.
2. Input power shall meet the requirements of the power derating.
3. General peak power 10 times rated power (5μs pulse width, 1% duty cycle).

SMA Series, DC-18GHz, 25W

Electrical Specifications

- ◇ **Nominal Impedance:** 50 Ω
- ◇ **Power Rating:** 25W
- ◇ **Connector Type:** SMA(Male/Female)
- ◇ **Operating Temperature:** -55°C to +125°C
- ◇ **Dimension:** $\Phi 45 \times 50.5 \text{mm}$
- ◇ **Net Weight:** 65.5g
- ◇ **RoHS Compliant**

Outline Drawing (mm)



Part Number	Frequency Range(GHz)	Attenuation Value & Accuracy (dB)				VSWR (Max.)
		1-9	10	20	30	
CA25-XX-S-6	DC-6	±0.4	±0.5	±0.6	±0.8	1.20
CA25-XX-S-12.4	DC-12.4	±0.7	±0.7	±0.8	±1.0	1.25
CA25-XX-S-18	DC-18	±0.7	±0.7	±0.8	±1.0	1.30

*xx refer to attenuator value in dB.

Notes:

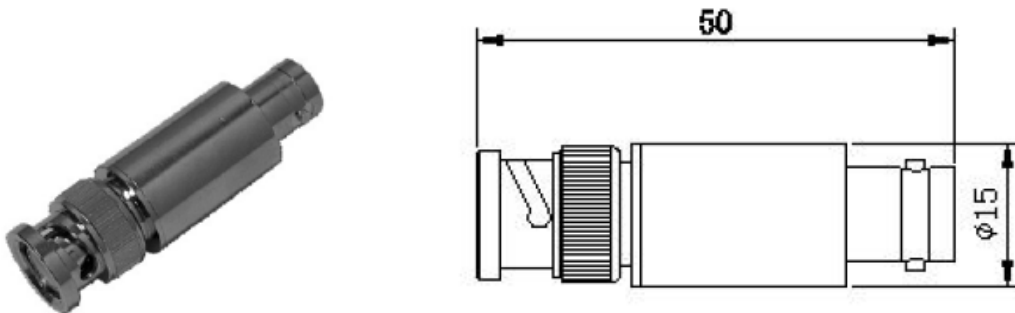
1. The coaxial fixed attenuator must pay attention to the direction of input power.
2. Input power shall meet the requirements of the power derating.
3. General peak power 10 times rated power (5 μ s pulse width, 1% duty cycle).

BNC Series, DC-6GHz, 2W

Electrical Specifications

- ◇ **Nominal Impedance:** 50 Ω
- ◇ **Power Rating:** 2W
- ◇ **Connector Type:** BNC(Male/Female)
- ◇ **Operating Temperature:** -55°C to +125°C
- ◇ **Dimension:** Φ 15x50mm
- ◇ **Net Weight:** 30g
- ◇ **RoHS Compliant**

Outline Drawing (mm)



Part Number	Frequency Range(GHz)	Attenuation Value & Accuracy (dB)				VSWR (Max.)
		1-9	10	20	30	
CA2-XX-B-3	DC-3	± 0.4	± 0.5	± 0.6	± 0.8	1.20
CA2-XX-B-6	DC-6	± 0.6	± 0.6	± 0.8	± 1.0	1.25

*xx refer to attenuator value in dB.

Notes:

1. The coaxial fixed attenuator must pay attention to the power input direction.
2. Input power shall meet the requirements of the power derating.
3. General peak power 10 times rated power (5 μ s pulse width, 1% duty cycle).