

## Coaxial Fixed Termination

### Product Description

Coaxial fixed terminations absorb RF & microwave energy and are commonly used as dummy loads of antenna and transmitter. They are also used as match ports in many multiport microwave device such as circulators and directional couplers to make these ports which are not involved in the measurement be terminated in their characteristic impedance in order to ensure an accurate measurement.

CT serial high power coaxial fixed termination's rated power 1W-1KW, wide frequency range DC-18GHz. The low VSWR and excellent capacity are main features.

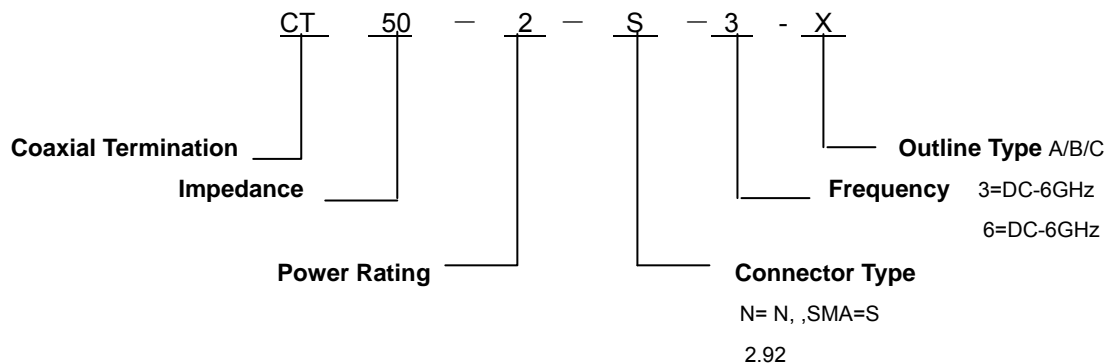
### Series Note

**N Series:** Rated Power 2-1000W, Frequency Range: DC-18GHz

**SMA Series:** Rated Power 2-10W, Frequency Range: DC-26.5GHz

**2.92 Series:** Rated Power 2-10W, Frequency Range: DC-40GHz

### HOW TO ORDER



### Example

CT50-2-S-3 means coaxial termination with 50 Ohms, rated power 2W, frequency rang to 3GHz, connector type SMA (M) .

## Product Reference Guide

Part Number	Rated Power(W)	Frequency Rang (GHz)	VSWR (Max.)	Connector Type	Dimensions (mm)
CT50-2-2.92-40	2	DC-40	1.35	2.92 mm	Φ 7.5x19
CT50-10-2.92-40	10	DC-40	1.35	2.92 mm	Φ 40.5x29.8
CT50-2-N-3	2	DC-3	1.15	N(Male)	Φ 20×36
CT50-2-N-6		DC-6	1.20	N(Male)	
CT50-5-N-3-A	5	DC-3	1.20	N(Male)	Φ 20×36
CT50-5-N-6-A		DC-6	1.25	N(Male)	
CT50-5-N-6-B	5	DC-6	1.20	N(Male)	Φ 21x33.5
CT50-5-N-12.4-B		DC-12.4	1.25	N(Male)	
CT50-5-N-18-B		DC-18	1.30	N(Male)	
CT50-10-N-3-A	10	DC-3	1.20	N(Male)	Φ 30x48.5
CT50-10-N-6-A		DC-6	1.25	N(Male)	
CT50-10-N-6-B	10	DC-6	1.20	N(Male)	Φ 17x53.3
CT50-10-N-12.4-B		DC-12.4	1.25	N(Male)	
CT50-10-N-18-B		DC-18	1.30	N(Male)	
CT50-25-N-6	25	DC-6	1.20	N(Male)	Φ 17x53.3
CT50-25-N-12.4		DC-12.4	1.30	N(Male)	
CT50-25-N-18		DC-18	1.35	N(Male)	
CT50-30-N-3	30	DC-3	1.15	N(Male)	Φ 45x90
CT50-30-N-6		DC-6	1.25	N(Male)	
CT50-50-N-3-A	50	DC-3	1.15	N(Male)	Φ 64x109
CT50-50-N-6-A		DC-6	1.25	N(Male)	
CT50-50-N-6-B	50	DC-6	1.20	N(Male)	Φ 45x125.5
CT50-50-N-12.4-B		DC-12.4	1.30	N(Male)	
CT50-50-N-18-B		DC-18	1.35	N(Male)	
CT50-50-N-3-C	50	DC-3	1.20	N(Male)	80x60x60
CT50-50-N-6-C		DC-6	1.25	N(Male)	
CT50-100-N-3-A	100	DC-3	1.20	N(Male)	120x100x60
CT50-100-N-6-A		DC-6	1.25	N(Male)	
CT50-100-N-6-B	100	DC-6	1.25	N(Male)	130x76x76
CT50-100-N-8-B		DC-8	1.30	N(Male)	
CT50-100-N-10-B		DC-10	1.35	N(Male)	
CT50-200-N-3-A	200	DC-3	1.20	N(Male)	200x142x65
CT50-200-N-6-A		DC-6	1.25	N(Male)	
CT50-200-N-6-B	200	DC-6	1.30	N(Male)	200x142x65
CT50-200-N-8-B		DC-8	1.35	N(Male)	
CT50-200-N-10-B		DC-10	1.45	N(Male)	

### Product Reference Guide

Part Number	Rated Power(W)	Frequency Rang (GHz)	VSWR (Max.)	Connector Type	Dimensions (mm)
CT50-300-N-3	300	DC-3	1.20	N(Male)	230x160x87
CT50-300-N-6		DC-6	1.40	N(Male)	
CT50-500-N-3-A	500	DC-3	1.20	N(Male)	400x245x97
CT50-500-N-6-A		DC-6	1.40	N(Male)	
CT50-500-N-6-B	500	2-12	1.30	N(Male)	280x86x60
CT50-500-N-18-B		2-18	1.50	N(Male)	
CT50-1000-L29E-3	1000	DC-3	1.30	N(Male)	400x410x147
CT50-1000-L29E-6		DC-6	1.40	N(Male)	
CT50-2-S-6	2	DC-6	1.10	SMA(Male)	Φ9×14.4
CT50-2-S-12.4		DC-12.4	1.15	SMA(Male)	
CT50-2-S-18		DC-18	1.20	SMA(Male)	
CT50-2-S-26.5		DC-26.5	1.30	SMA(Male)	
CT50-2-S-6	2	DC-6	1.15	SMA(Male)	Φ9x15
CT50-2-S-12.4		DC-12.4	1.20	SMA(Male)	
CT50-2-S-18		DC-18	1.25	SMA(Male)	
CT50-5-S-6	5	DC-6	1.20	SMA(Male)	Φ 15.5x24
CT50-5-S-12.4		DC-12.4	1.25	SMA(Male)	
CT50-5-S-18		DC-18	1.30	SMA(Male)	
CT50-10-S-6	10	DC-6	1.20	SMA(Male)	Φ 17x44
CT50-10-S-12.4		DC-12.4	1.25	SMA(Male)	
CT50-10-S-18		DC-18	1.30	SMA(Male)	

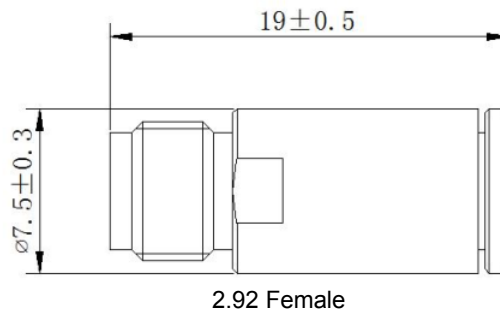
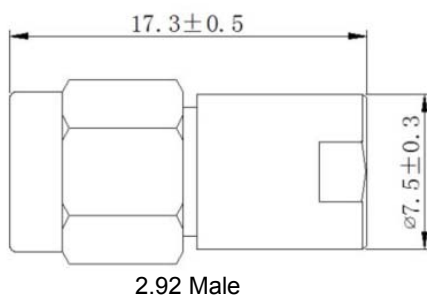
## 2.92, DC-40GHz, 2W

### Electrical Specifications

- ◇ **Nominal Impedance:** 50 Ω
- ◇ **Power Rating:** 2W
- ◇ **Connector Type:** 2.92 Male or 2.92 Female
- ◇ **Operating Temperature:** -55°C ~ +125°C
- ◇ **RoHS Compliant**



### Outline Drawing (mm)



Part Number	Frequency Range(GHz)	VSWR (Max.)	Dimensions (mm)	Weight (g)
CT50-2-2.92-40	DC-40	1.20:1 @ DC-20GHz 1.25:1 @ 20-31.5GHz 1.35:1 @ 31.5-40GHz	Φ 7.5x17.3 Φ 7.5x19	8

### Notes:

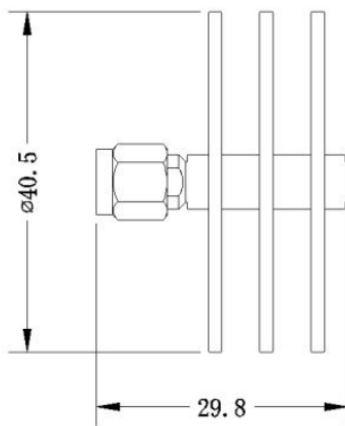
1. Input power shall meet the requirements of the power derating.
2. General peak power 10 times rated power (5μs pulse width, 1% duty cycle).

## 2.92, DC-40GHz, 10W

### Electrical Specifications

- ✧ **Nominal Impedance:** 50 Ω
- ✧ **Power Rating:** 10W
- ✧ **Connector Type:** 2.92 Male or 2.92 Female
- ✧ **Operating Temperature:** -55°C ~ +125°C
- ✧ **RoHS Compliant**

### Outline Drawing (mm)



2.92 Male

Part Number	Frequency Range(GHz)	VSWR (Max.)	Dimensions (mm)	Weight (g)
CT50-10-2.92-40	DC-40	1.35:1 @ DC-40GHz	Φ 40.5x29.8	20

### Notes:

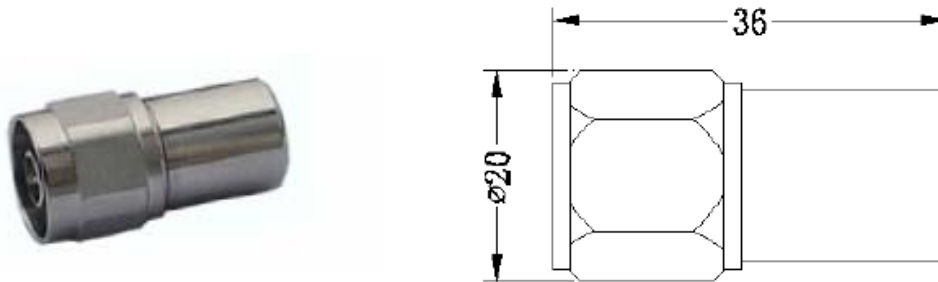
1. Input power shall meet the requirements of the power derating.
2. General peak power 10 times rated power (5μs pulse width, 1% duty cycle).

## N, DC-6GHz, 2W

### Electrical Specifications

- ◇ **Nominal Impedance:** 50 Ω
- ◇ **Power Rating:** 2W
- ◇ **Connector Type:** N(Male)
- ◇ **Operating Temperature:** -55°C ~ +125°C
- ◇ **RoHS Compliant**

### Outline Drawing (mm)



Part Number	Frequency Range(GHz)	VSWR (Max.)	Dimensions (mm)	Weight (g)
CT50-2-N-3	DC-3	1.15	Φ 20x36	45
CT50-2-N-6	DC-6	1.20		

### Notes:

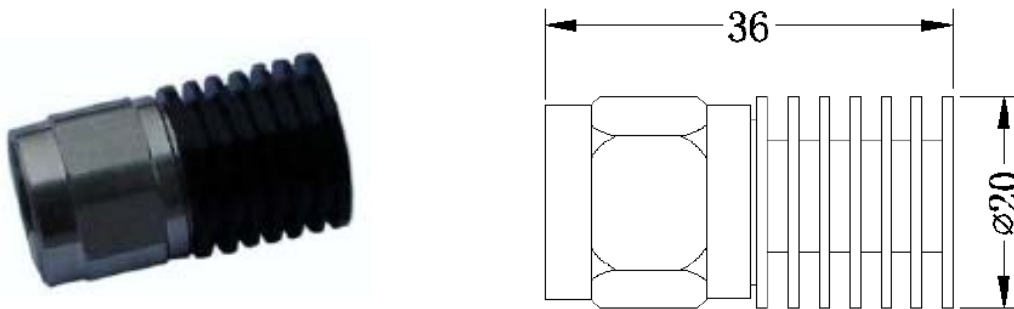
1. Input power shall meet the requirements of the power derating.
2. General peak power 10 times rated power (5μs pulse width, 1% duty cycle).

## N, DC-6GHz, 5W

### Electrical Specifications

- ✧ **Nominal Impedance:** 50 Ω
- ✧ **Power Rating:** 5W
- ✧ **Connector Type:** N(Male)
- ✧ **Operating Temperature:** -55°C ~ +125°C
- ✧ **RoHS Compliant**

### Outline Drawing (mm)



Part Number	Frequency Range(GHz)	VSWR (Max.)	Dimensions (mm)	Weight (g)
CT50-5-N-3-A	DC-3	1.20	Φ 20x36	34
CT50-5-N-6-A	DC-6	1.25		

### Notes:

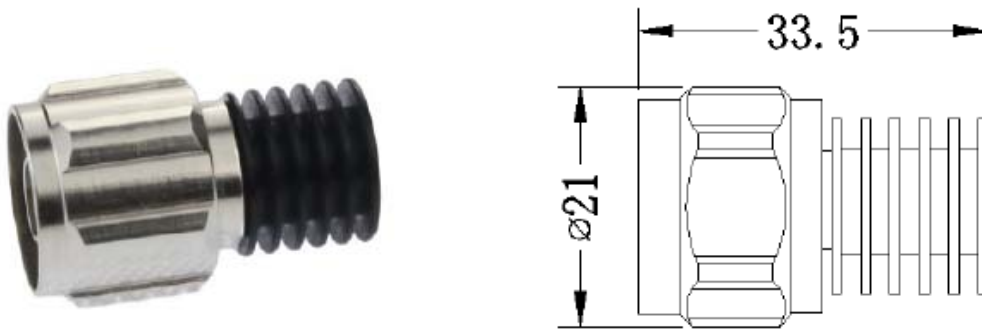
1. Input power shall meet the requirements of the power derating.
2. General peak power 10 times rated power (5μs pulse width, 1% duty cycle).

## N, DC-18GHz, 5W

### Electrical Specifications

- ◇ **Nominal Impedance:** 50 Ω
- ◇ **Power Rating:** 5W
- ◇ **Connector Type:** N(Male)
- ◇ **Operating Temperature:** -55°C ~ +125°C
- ◇ **RoHS Compliant**

### Outline Drawing (mm)



Part Number	Frequency Range(GHz)	VSWR (Max.)	Dimensions (mm)	Weight (g)
CT50-5-N-6-B	DC-6	1.20	Φ21x33.5	29.5
CT50-5-N-12.4-B	DC-12.4	1.25		
CT50-5-N-18-B	DC-18	1.30		

### Notes:

1. Input power shall meet the requirements of the power derating.
2. General peak power 10 times rated power (5μs pulse width, 1% duty cycle).

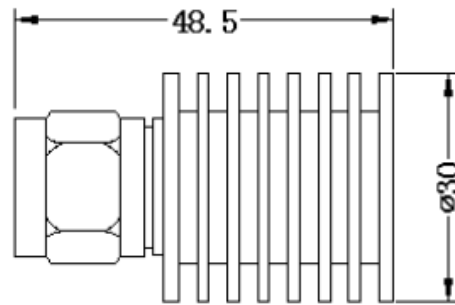


## N, DC-6GHz, 10W

### Electrical Specifications

- ✧ **Nominal Impedance:** 50 Ω
- ✧ **Power Rating:** 10W
- ✧ **Connector Type:** N(Male)
- ✧ **Operating Temperature:** -55°C ~ +125°C
- ✧ **RoHS Compliant**

### Outline Drawing (mm)



Part Number	Frequency Range(GHz)	VSWR (Max.)	Dimensions (mm)	Weight (g)
CT50-10-N-3-A	DC-3	1.20	Φ 30x48.5	60
CT50-10-N-6-A	DC-6	1.25		

### Notes:

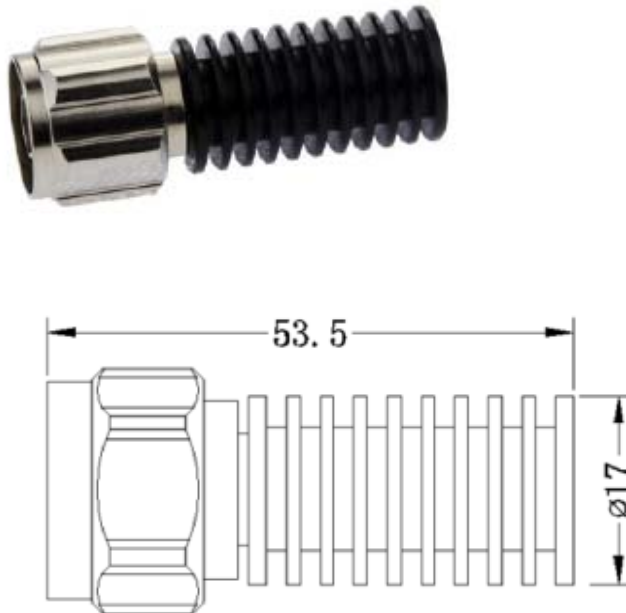
1. Input power shall meet the requirements of the power derating.
2. General peak power 10 times rated power (5μs pulse width, 1% duty cycle).

## N, DC-18GHz, 10W

### Electrical Specifications

- ✧ **Nominal Impedance:** 50 Ω
- ✧ **Power Rating:** 10W
- ✧ **Connector Type:** N(Male)
- ✧ **Operating Temperature:** -55°C ~ +125°C
- ✧ **RoHS Compliant**

### Outline Drawing (mm)



Part Number	Frequency Range(GHz)	VSWR (Max.)	Dimensions (mm)	Weight (g)
CT50-10-N-6-B	DC-6	1.20	Φ 17x53.3	29
CT50-10-N-12.4-B	DC-12.4	1.25		
CT50-10-N-18-B	DC-18	1.30		

### Notes:

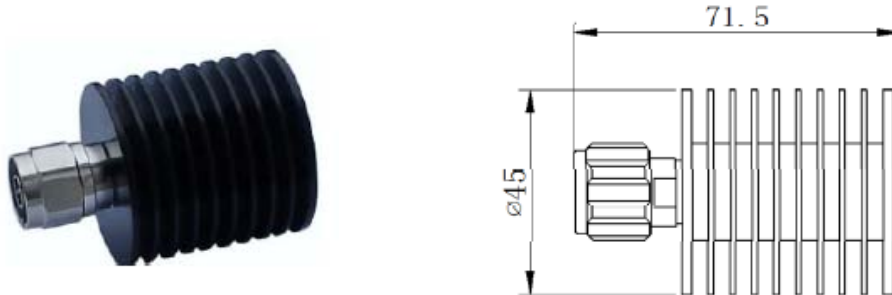
1. Input power shall meet the requirements of the power derating.
2. General peak power 10 times rated power (5μs pulse width, 1% duty cycle).

## N, DC-18GHz, 25W

### Electrical Specifications

- ✧ **Nominal Impedance:** 50 Ω
- ✧ **Power Rating:** 25W
- ✧ **Connector Type:** N(Male)
- ✧ **Operating Temperature:** -55°C ~ +125°C
- ✧ **RoHS Compliant**

### Outline Drawing (mm)



Part Number	Frequency Range(GHz)	VSWR (Max.)	Dimensions (mm)	Weight (g)
CT50-25-N-6	DC-6	1.20	Φ45x71.5	29
CT50-25-N-12.4	DC-12.4	1.25		
CT50-25-N-18	DC-18	1.30		

### Notes:

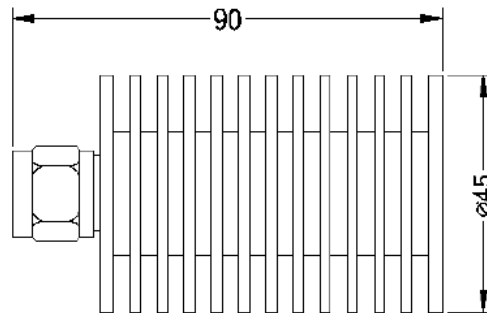
1. Input power shall meet the requirements of the power derating.
2. General peak power 10 times rated power (5μs pulse width, 1% duty cycle).

## N, DC-6GHz, 30W

### Electrical Specifications

- ◇ **Nominal Impedance:** 50 Ω
- ◇ **Power Rating:** 30W
- ◇ **Connector Type:** N(Male) or 7/16
- ◇ **Operating Temperature:** -55°C ~ +125°C
- ◇ **RoHS Compliant**

### Outline Drawing (mm)



Part Number	Frequency Range(GHz)	VSWR (Max.)	Dimensions (mm)	Weight (g)
CT50-30-N-3	DC-3	1.15	Φ45x90	200
CT50-30-N-6	DC-6	1.25		

### Notes:

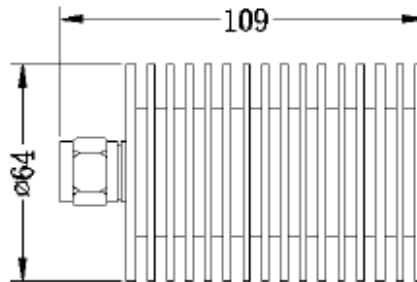
1. Input power shall meet the requirements of the power derating.
2. General peak power 10 times rated power (5μs pulse width, 1% duty cycle).

## N, DC-6GHz, 50W

### Electrical Specifications

- ◇ **Nominal Impedance:** 50 Ω
- ◇ **Power Rating:** 50W
- ◇ **Connector Type:** N(Male) or 7/16
- ◇ **Operating Temperature:** -55°C ~ +125°C
- ◇ **RoHS Compliant**

### Outline Drawing (mm)



Part Number	Frequency Range(GHz)	VSWR (Max.)	Dimensions (mm)	Weight (g)
CT50-50-N-3-A	DC-3	1.15	Φ 64x109	305
CT50-50-N-6-A	DC-6	1.25		

### Notes:

1. Input power shall meet the requirements of the power derating.
2. General peak power 10 times rated power (5μs pulse width, 1% duty cycle).

## N, DC-18GHz, 50W

### Electrical Specifications

- ◇ **Nominal Impedance:** 50 Ω
- ◇ **Power Rating:** 50W
- ◇ **Connector Type:** N(Male)
- ◇ **Operating Temperature:** -55°C ~ +125°C
- ◇ **RoHS Compliant**

### Outline Drawing (mm)



Part Number	Frequency Range(GHz)	VSWR (Max.)	Dimensions (mm)	Weight (g)
CT50-50-N-6-B	DC-6	1.20	Φ45x125.5	249
CT50-50-N-12.4-B	DC-12.4	1.30		
CT50-50-N-18-B	DC-18	1.35		

### Notes:

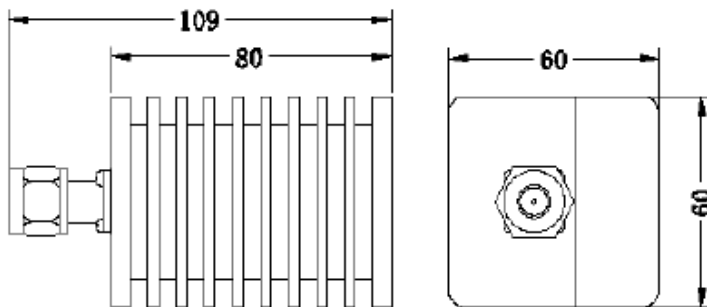
1. Input power shall meet the requirements of the power derating.
2. General peak power 10 times rated power (5μs pulse width, 1% duty cycle).

## N, DC-6GHz, 50W

### Electrical Specifications

- ✧ **Nominal Impedance:** 50 Ω
- ✧ **Power Rating:** 50W
- ✧ **Connector Type:** N(Male) or 7/16
- ✧ **Operating Temperature:** -55°C ~ +125°C
- ✧ **RoHS Compliant**

### Outline Drawing (mm)



Part Number	Frequency Range(GHz)	VSWR (Max.)	Dimensions (mm)	Weight (g)
CT50-50-N-3-C	DC-3	1.20	80x60x60	390
CT50-50-N-6-C	DC-6	1.25		

### Notes:

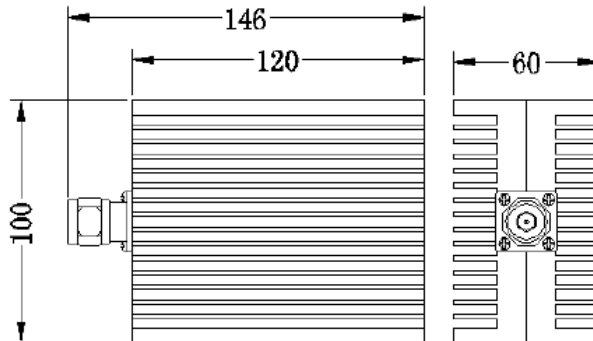
1. Input power shall meet the requirements of the power derating.
2. General peak power 10 times rated power (5μs pulse width, 1% duty cycle).

## N, DC-6GHz, 100W

### Electrical Specifications

- ✧ **Nominal Impedance:** 50 Ω
- ✧ **Power Rating:** 100W
- ✧ **Connector Type:** N(Male) or 7/16
- ✧ **Operating Temperature:** -55°C ~ +125°C
- ✧ **RoHS Compliant**

### Outline Drawing (mm)



Part Number	Frequency Range(GHz)	VSWR (Max.)	Dimensions (mm)	Weight (kg)
CT50-100-N-3-A	DC-3	1.20	120x100x60	1.3
CT50-100-N-6-A	DC-6	1.25		

### Notes:

1. Input power shall meet the requirements of the power derating.
2. General peak power 10 times rated power (5μs pulse width, 1% duty cycle).

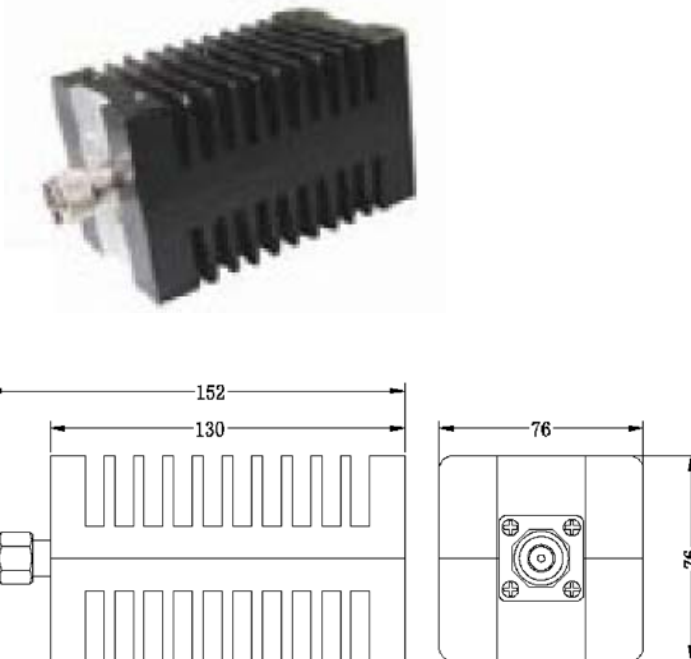


## N, DC-10GHz, 100W

### Electrical Specifications

- ✧ **Nominal Impedance:** 50 Ω
- ✧ **Power Rating:** 100W
- ✧ **Connector Type:** N(Male)
- ✧ **Operating Temperature:** -55°C ~ +125°C
- ✧ **RoHS Compliant**

### Outline Drawing (mm)



Part Number	Frequency Range(GHz)	VSWR (Max.)	Dimensions (mm)	Weight (kg)
CT50-100-N-6-B	DC-6	1.25	130x76x76	1.4
CT50-100-N-8-B	DC-8	1.30		
CT50-100-N-10-B	DC-10	1.35		

### Notes:

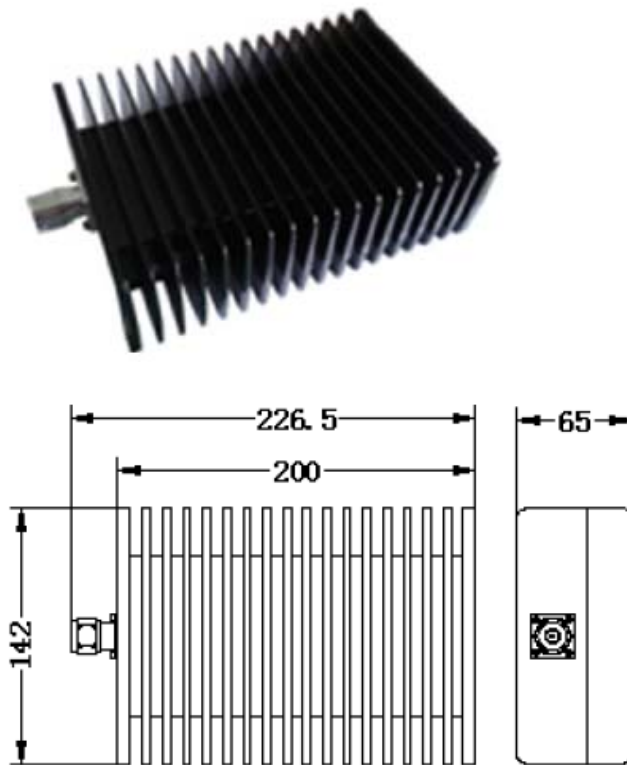
1. Input power shall meet the requirements of the power derating.
2. General peak power 10 times rated power (5μs pulse width, 1% duty cycle).

## N, DC-6GHz, 200W

### Electrical Specifications

- ◇ **Nominal Impedance:** 50 Ω
- ◇ **Power Rating:** 200W
- ◇ **Connector Type:** N(Male) or 7/16
- ◇ **Operating Temperature:** -55°C ~ +125°C
- ◇ **RoHS Compliant**

### Outline Drawing (mm)



Part Number	Frequency Range(GHz)	VSWR (Max.)	Dimensions (mm)	Weight (kg)
CT50-200-N-3-A	DC-3	1.20	200x142x65	2.3
CT50-200-N-6-A	DC-6	1.25		

### Notes:

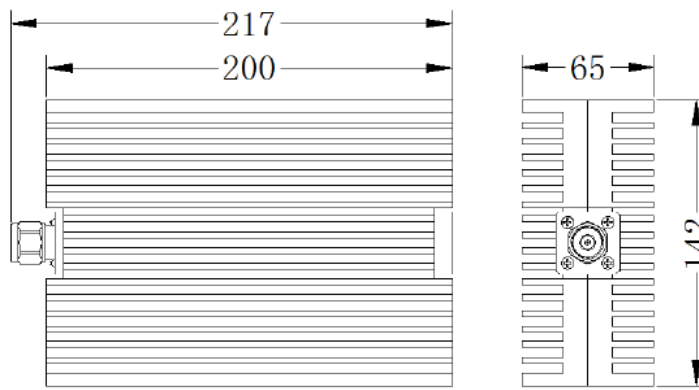
1. Input power shall meet the requirements of the power derating.
2. General peak power 10 times rated power (5μs pulse width, 1% duty cycle).

## N, DC-10GHz, 200W

### Electrical Specifications

- ✧ **Nominal Impedance:** 50 Ω
- ✧ **Power Rating:** 200W
- ✧ **Connector Type:** N(Male)
- ✧ **Operating Temperature:** -55°C ~ +125°C
- ✧ **RoHS Compliant**

### Outline Drawing (mm)



Part Number	Frequency Range(GHz)	VSWR (Max.)	Dimensions (mm)	Weight (kg)
CT50-200-N-6-B	DC-6	1.30	200x142x65	3.1
CT50-200-N-8-B	DC-8	1.35		
CT50-200-N-10-B	DC-10	1.45		

### Notes:

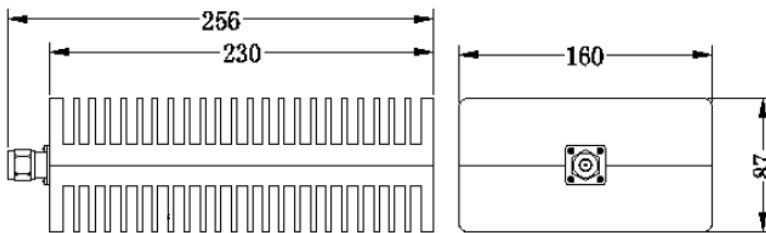
1. Input power shall meet the requirements of the power derating.
2. General peak power 10 times rated power (5μs pulse width, 1% duty cycle).

## N, DC-6GHz, 300W

### Electrical Specifications

- ◇ **Nominal Impedance:** 50 Ω
- ◇ **Power Rating:** 300W
- ◇ **Connector Type:** N(Male) or 7/16
- ◇ **Operating Temperature:** -55°C ~ +125°C
- ◇ **RoHS Compliant**

### Outline Drawing (mm)



Part Number	Frequency Range(GHz)	VSWR (Max.)	Dimensions (mm)	Weight (kg)
CT50-300-N-3	DC-3	1.20	230x160x87	3.4
CT50-300-N-6	DC-6	1.40		

### Notes:

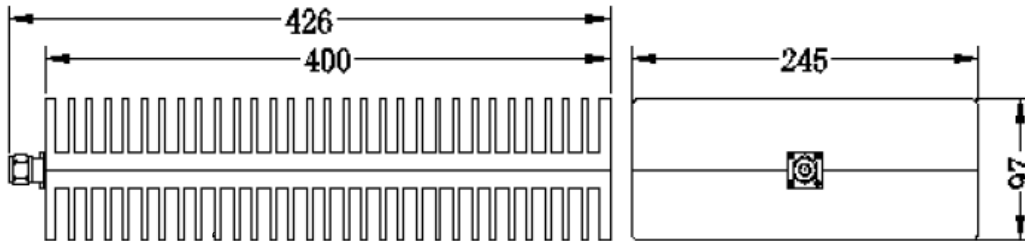
1. Input power shall meet the requirements of the power derating.
2. General peak power 10 times rated power (5μs pulse width, 1% duty cycle).

## N, DC-6GHz, 500W

### Electrical Specifications

- ◇ **Nominal Impedance:** 50 Ω
- ◇ **Power Rating:** 500W
- ◇ **Connector Type:** N(Male) or 7/16
- ◇ **Operating Temperature:** -55°C ~ +125°C
- ◇ **RoHS Compliant**

### Outline Drawing (mm)



Part Number	Frequency Range(GHz)	VSWR (Max.)	Dimensions (mm)	Weight (kg)
CT50-500-N-3-A	DC-3	1.20	400x245x97	10
CT50-500-N-6-A	DC-6	1.40		

### Notes:

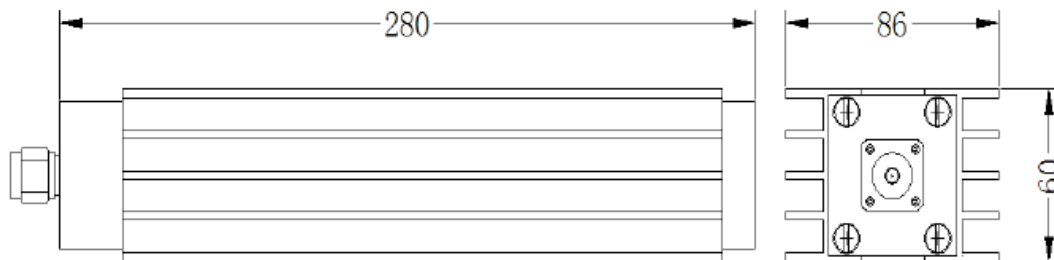
1. Input power shall meet the requirements of the power derating.
2. General peak power 10 times rated power (5μs pulse width, 1% duty cycle).

## N, DC-18GHz, 500W

### Electrical Specifications

- ✧ **Nominal Impedance:** 50 Ω
- ✧ **Power Rating:** 500W
- ✧ **Connector Type:** N(Male)
- ✧ **Operating Temperature:** -55°C ~ +125°C
- ✧ **RoHS Compliant**

### Outline Drawing (mm)



Part Number	Frequency Range(GHz)	VSWR (Max.)	Dimensions (mm)
CT50-500-N-12-B	2 - 12	1.30	280x86x60
CT50-500-N-18-B	2 - 18	1.50	

### Notes:

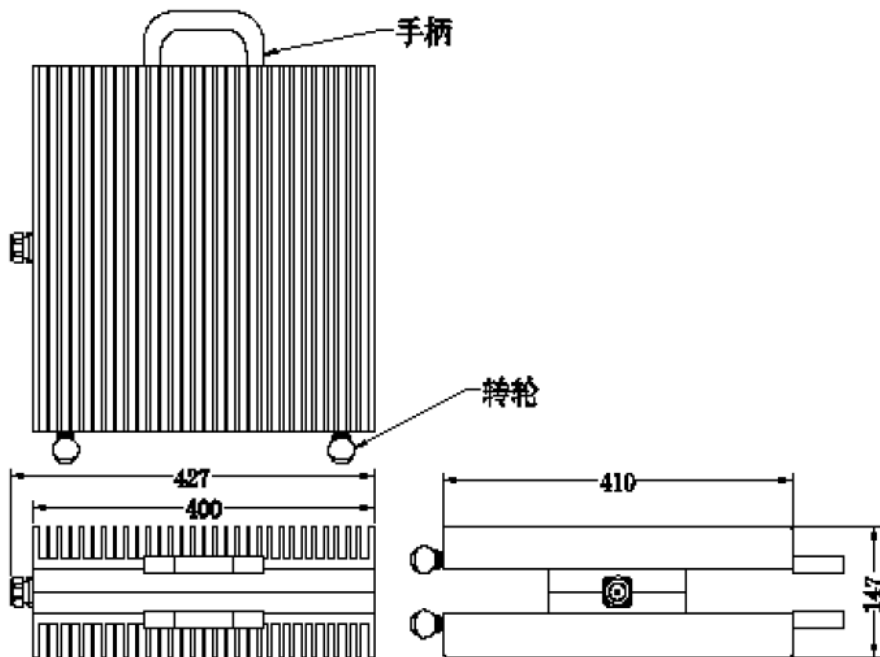
1. Input power shall meet the requirements of the power derating.
2. General peak power 10 times rated power (5μs pulse width, 1% duty cycle).

## 7/16, DC-6GHz, 1000W

### Electrical Specifications

- ◇ **Nominal Impedance:** 50 Ω
- ◇ **Power Rating:** 1000W
- ◇ **Connector Type:** N(Male)
- ◇ **Operating Temperature:** -55°C ~ +125°C
- ◇ **RoHS Compliant**

### Outline Drawing (mm)



Part Number	Frequency Range(GHz)	VSWR (Max.)	Dimensions (mm)
CT50-1000-L29E-3	DC-3	1.30	400x410x147
CT50-1000-L29E-6	DC-6	1.40	

### Notes:

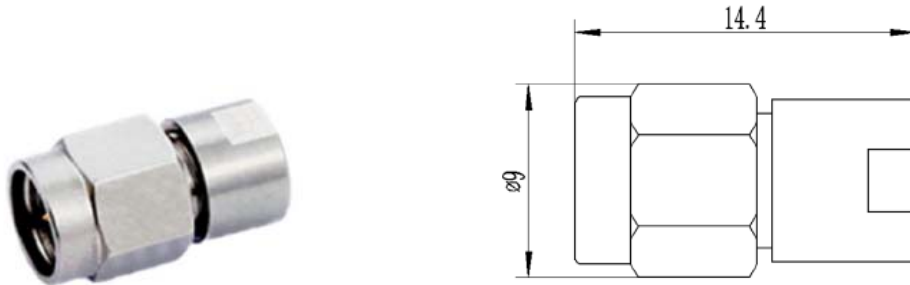
1. Input power shall meet the requirements of the power derating.
2. General peak power 10 times rated power (5μs pulse width, 1% duty cycle).

### SMA , DC-26.5GHz, 2W

#### Electrical Specifications

- ◇ **Nominal Impedance:** 50 Ω
- ◇ **Power Rating:** 2W
- ◇ **Connector Type:** SMA(Male)
- ◇ **Operating Temperature:** -55°C ~ +125°C
- ◇ **RoHS Compliant**

#### Outline Drawing (mm)



Part Number	Frequency Range(GHz)	VSWR (Max.)	Dimensions (mm)	Weight (g)
CT50-2-S-6	DC-6	1.10	Φ9x14.4	5
CT50-2-S-12.4	DC-12.4	1.15		
CT50-2-S-18	DC-18	1.20		
CT50-2-S-26.5	DC-26.5	1.30		

#### Notes:

1. Input power shall meet the requirements of the power derating.
2. General peak power 10 times rated power (5μs pulse width, 1% duty cycle).

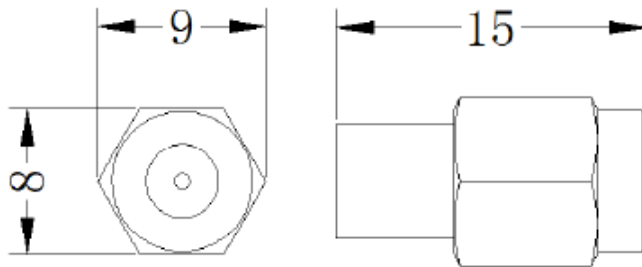


## SMA, DC-18GHz, 2W

### Electrical Specifications

- ✧ **Nominal Impedance:** 50 Ω
- ✧ **Power Rating:** 2W
- ✧ **Connector Type:** SMA(Male)
- ✧ **Operating Temperature:** -55°C ~ +125°C
- ✧ **RoHS Compliant**

### Outline Drawing (mm)



Part Number	Frequency Range(GHz)	VSWR (Max.)	Dimensions (mm)	Weight (g)
CT50-2-S-6	DC-6	1.15	Φ9x15	4
CT50-2-S-12.4	DC-12.4	1.20		
CT50-2-S-18	DC-18	1.25		

### Notes:

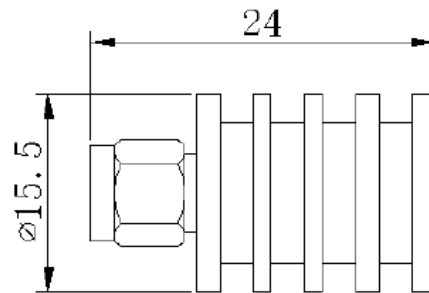
1. Input power shall meet the requirements of the power derating.
2. General peak power 10 times rated power (5μs pulse width, 1% duty cycle).

## SMA , DC-18GHz, 5W

### Electrical Specifications

- ◇ **Nominal Impedance:** 50 Ω
- ◇ **Power Rating:** 5W
- ◇ **Connector Type:** SMA(Male)
- ◇ **Operating Temperature:** -55°C ~ +125°C
- ◇ **RoHS Compliant**

### Outline Drawing (mm)



Part Number	Frequency Range(GHz)	VSWR (Max.)	Dimensions (mm)	Weight (g)
CT50-5-S-6	DC-6	1.15	Φ 15.4x24	8.5
CT50-5-S-12.4	DC-12.4	1.20		
CT50-5-S-18	DC-18	1.25		

### Notes:

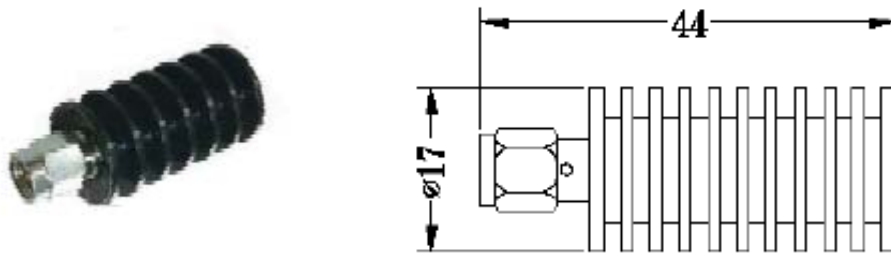
1. Input power shall meet the requirements of the power derating.
2. General peak power 10 times rated power (5μs pulse width, 1% duty cycle).

## SMA , DC-18GHz, 10W

### Electrical Specifications

- ◇ **Nominal Impedance:** 50 Ω
- ◇ **Power Rating:** 10W
- ◇ **Connector Type:** SMA(Male)
- ◇ **Operating Temperature:** -55°C ~ +125°C
- ◇ **RoHS Compliant**

### Outline Drawing (mm)



Part Number	Frequency Range(GHz)	VSWR (Max.)	Dimensions (mm)	Weight (g)
CT50-10-S-6	DC-6	1.20	Φ 17x44	16
CT50-10-S-12.4	DC-12.4	1.25		
CT50-10-S-18	DC-18	1.30		

### Notes:

1. Input power shall meet the requirements of the power derating.
2. General peak power 10 times rated power (5μs pulse width, 1% duty cycle).