

Drop-in Circulators

Part Number: KTDC-0102A

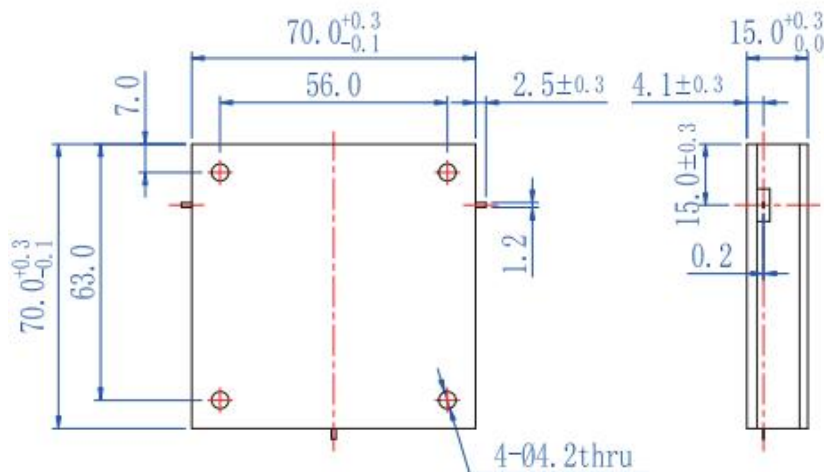
Key Features

- Frequency Range: 0.14GHz-0.24GHz
- Low Insertion Loss, High Isolation
- High Power, Good Performance
- Wide Operating Temperature Range : 0°C~+60°C
- Commercial, Military and Space Applications

Electrical Specifications at Room (25°C±5°C) Temperature

Part Number	Freq. Range (GHz)	Bandwidth Max. (MHz)	Insertion Loss Max. (dB)	Isolation Min. (dB)	VSWR Max.	Forward Power (W)	Connector Type
KTDC-0102A	0.14 - 0.24	10	0.6	18	1.30	100	TAB

Mechanical Dimensions (mm)



HOW TO ORDER

