

Drop-in Circulators

Part Number: KTDC-0402A

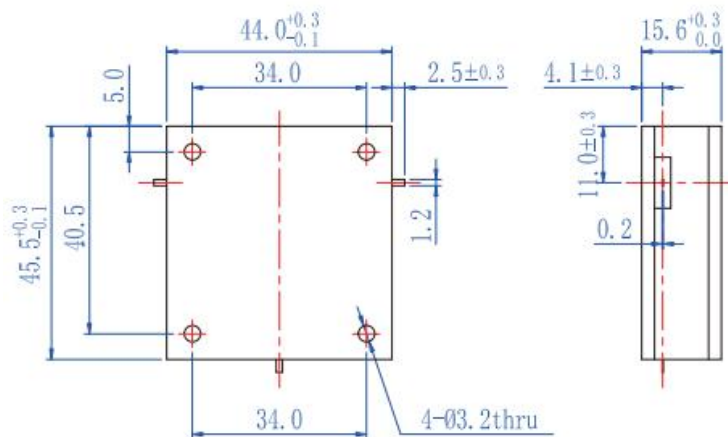
Key Features

- Frequency Range: 0.35GHz-0.55GHz
- Low Insertion Loss
- High Isolation, Small Size
- Wide Operating Temperature Range: -15°C~+60°C
- Commercial, Military and Space Applications

Electrical Specifications at Room (25°C±5°C) Temperature

Part Number	Freq. Range (GHz)	Bandwidth Max. (MHz)	Insertion Loss Max. (dB)	Isolation Min. (dB)	VSWR Max.	Forward Power (W)	Connector Type
KTDC-0402A	0.35 - 0.55	40	0.4	20	1.25	150	TAB

Mechanical Dimensions (mm)



HOW TO ORDER

