

## Drop-in Circulators

Part Number: KTDC-0702M1

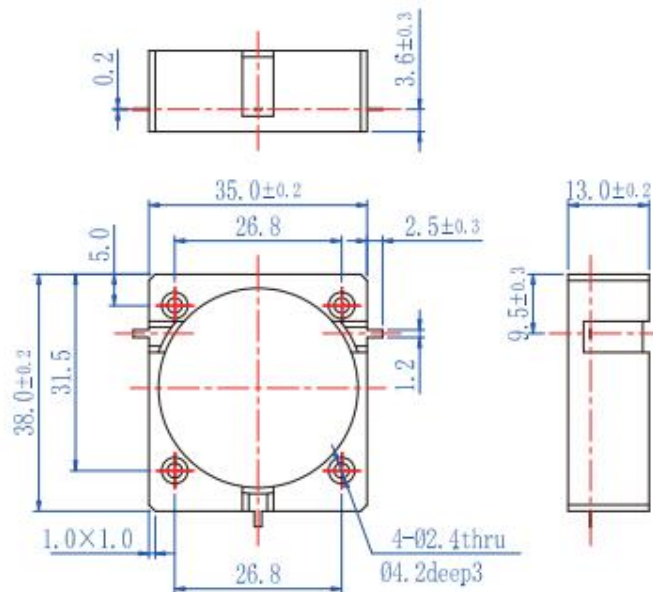
### Key Features

- Frequency Range: 0.5GHz-1.0GHz
- Low Insertion Loss
- High Isolation, Small Size
- Wide Operating Temperature Range: -30°C~+70°C
- Commercial, Military and Space Applications

### Electrical Specifications at Room (25°C±5°C) Temperature

Part Number	Freq. Range (GHz)	Bandwidth Max. (MHz)	Insertion Loss Max. (dB)	Isolation Min. (dB)	VSWR Max.	Forward Power (W)	Connector Type
KTDC-0702M1	0.5 - 1.0	75	0.4	23	1.20	150	TAB

### Mechanical Dimensions (mm)



### HOW TO ORDER

