

Dual Junction Coaxial Circulators

Part Number: KTCC-401AS

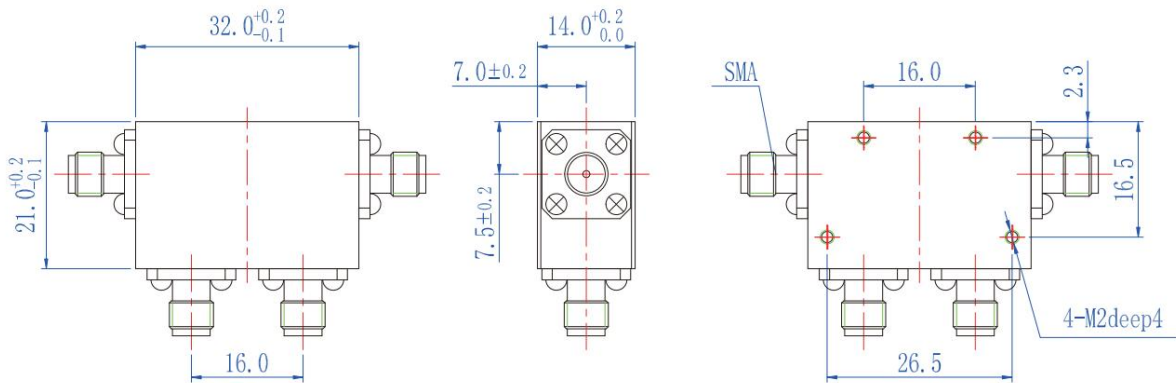
Key Features

- Frequency Range: 3.5GHz-8.0GHz
- Low Insertion Loss, High Isolation
- High Power Handling, Small Size
- Wide Operating Temperature Range: -40°C~+70°C
- Commercial, Military and Space Applications

Electrical Specifications at Room (25°C±5°C) Temperature

Part Number	Freq. Range (GHz)	Bandwidth Max. (MHz)	Insertion Loss Max. (dB)	Isolation Min. (dB)	VSWR Max.	Forward Power (W)	Connector Type
KTCC-401AS	3.5 - 8.0	600	0.8	46	1.20	50	SMA

Mechanical Dimensions (mm)



HOW TO ORDER

