

Dual Junction Coaxial Circulators

Part Number: KTCC-801S1

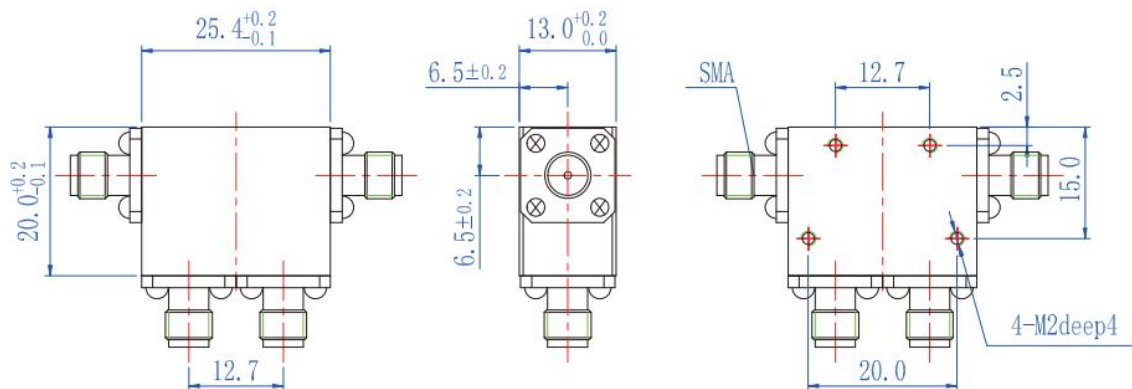
Key Features

- Broad Frequency Range: 7GHz-20GHz
- Low Insertion Loss, High Isolation
- High Power Handling, Small Size
- Wide Operating Temperature Range: -40°C~+70°C
- Commercial, Military and Space Applications

Electrical Specifications at Room (25°C±5°C) Temperature

Part Number	Freq. Range (GHz)	Bandwidth Max. (MHz)	Insertion Loss Max. (dB)	Isolation Min. (dB)	VSWR Max.	Forward Power (W)	Connector Type
KTCC-801S1	7 - 20	1500	0.8	40	1.25	10	SMA

Mechanical Dimensions (mm)



HOW TO ORDER

