

## Dual Junction Drop-in Circulators

Part Number: KTDC-0702MS

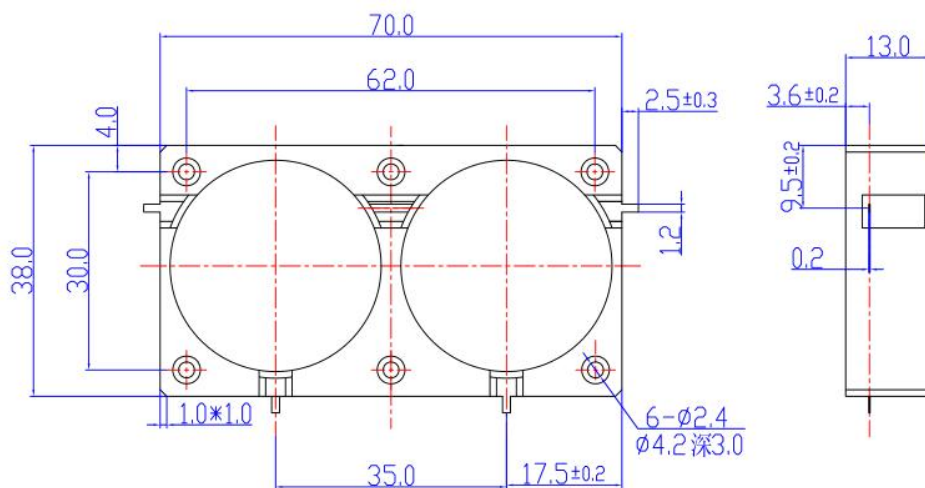
### Key Features

- Frequency Range: 0.5GHz-1.0GHz
- Low Insertion Loss, High Isolation
- High Power, Good Performance
- Wide Operating Temperature Range : -40°C~+85°C
- Commercial, Military and Space Applications

### Electrical Specifications at Room (25°C±5°C) Temperature

Part Number	Freq. Range (GHz)	Bandwidth Max. (MHz)	Insertion Loss Max. (dB)	Isolation Min. (dB)	VSWR Max.	Forward Power (W)	Connector Type
KTDC-0702MS	0.5 - 1.0	75	0.8	46	1.20	100	TAB

### Mechanical Dimensions (mm)



### HOW TO ORDER

