

## Dual Junction Drop-in Circulators

Part Number: KTDC-102MS3

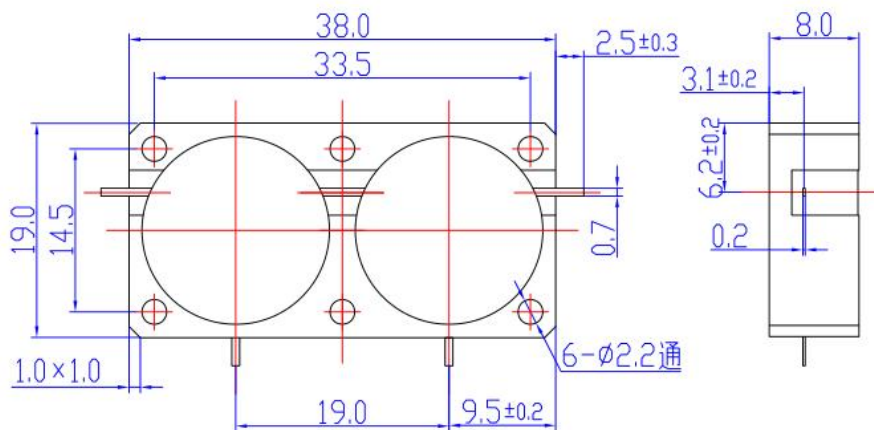
### Key Features

- Frequency Range: 1.2GHz-3.8GHz
- Low Insertion Loss, High Isolation
- High Power, Good Performance
- Wide Operating Temperature Range: -40°C~+85°C
- Commercial, Military and Space Applications

### Electrical Specifications at Room (25°C±5°C) Temperature

Part Number	Freq. Range (GHz)	Bandwidth Max. (MHz)	Insertion Loss Max. (dB)	Isolation Min. (dB)	VSWR Max.	Forward Power (W)	Connector Type
KTDC-102MS3	1.2 - 3.8	100 - 200	0.6	46	1.20	100	TAB

### Mechanical Dimensions (mm)



### HOW TO ORDER

