

Dual Junction Drop-in Circulators

Part Number: KTDC302CS2-A

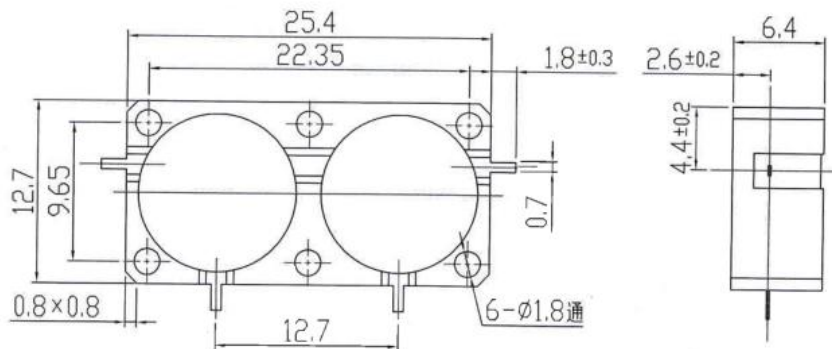
Key Features

- Frequency Range: 3GHz-7GHz
- Low Insertion Loss, High Isolation
- High Power, Good Performance
- Wide Operating Temperature Range: -40°C~+85°C
- Commercial, Military and Space Applications

Electrical Specifications at Room (25°C±5°C) Temperature

Part Number	Freq. Range (GHz)	Bandwidth Max. (MHz)	Insertion Loss Max. (dB)	Isolation Min. (dB)	VSWR Max.	Forward Power (W)	Connector Type
KTDC302CS2-A	3 - 7	250 - 500	0.8	40	1.25	100	TAB

Mechanical Dimensions (mm)



HOW TO ORDER

