

Microstrip Isolators

Part Number: KTMI-902A2

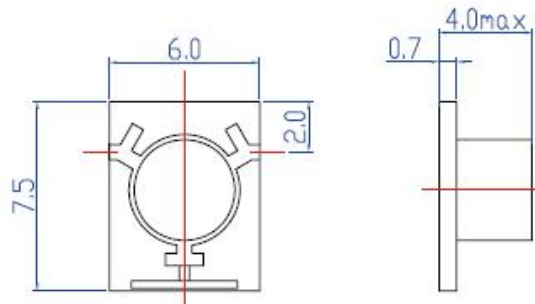
Key Features

- Frequency Range: 11.9GHz-12.2GHz
- Good Consistency
- Small Size, High Precision
- High Isolation, Low Insertion Loss
- Wide Operating Temperature Range : -55°C~+85°C
- Widely Used in Various Millimeter Wave Radar & TR Components

Electrical Specifications at Room (25°C±5°C) Temperature

Part Number	Freq. Range (GHz)	Bandwidth Max. (MHz)	Insertion Loss Max. (dB)	Isolation Min. (dB)	VSWR Max.	Reverse Power (W)	Connector Type
KTMI-902A2	11.9 - 12.2	full	0.5	20	1.25	0.5	GWB

Mechanical Dimensions (mm)



HOW TO ORDER

